



**Whitehaven®**  
Under-mount Apron Front Sink  
**K-5826**

**Features**

- Single bowl.
- With 6-11/16" (170 mm) Self-Trimming® integral apron.
- Fits a standards 33" sink base cabinet.
- 32-1/2" (826 mm) x 21-9/16" (548 mm)

**Material**

- KOHLER cast iron.
- Acid-resistant enamel finish.

**Installation**

- Under-mount

**Recommended Accessories**

K- 9000 P-Trap

**Optional Accessories**

K- 6449 Sink Rack

K- 8801 Sink Strainer

**Components**

Additional included component/s: Countertop cutout template, and Cabinet face cutout template.

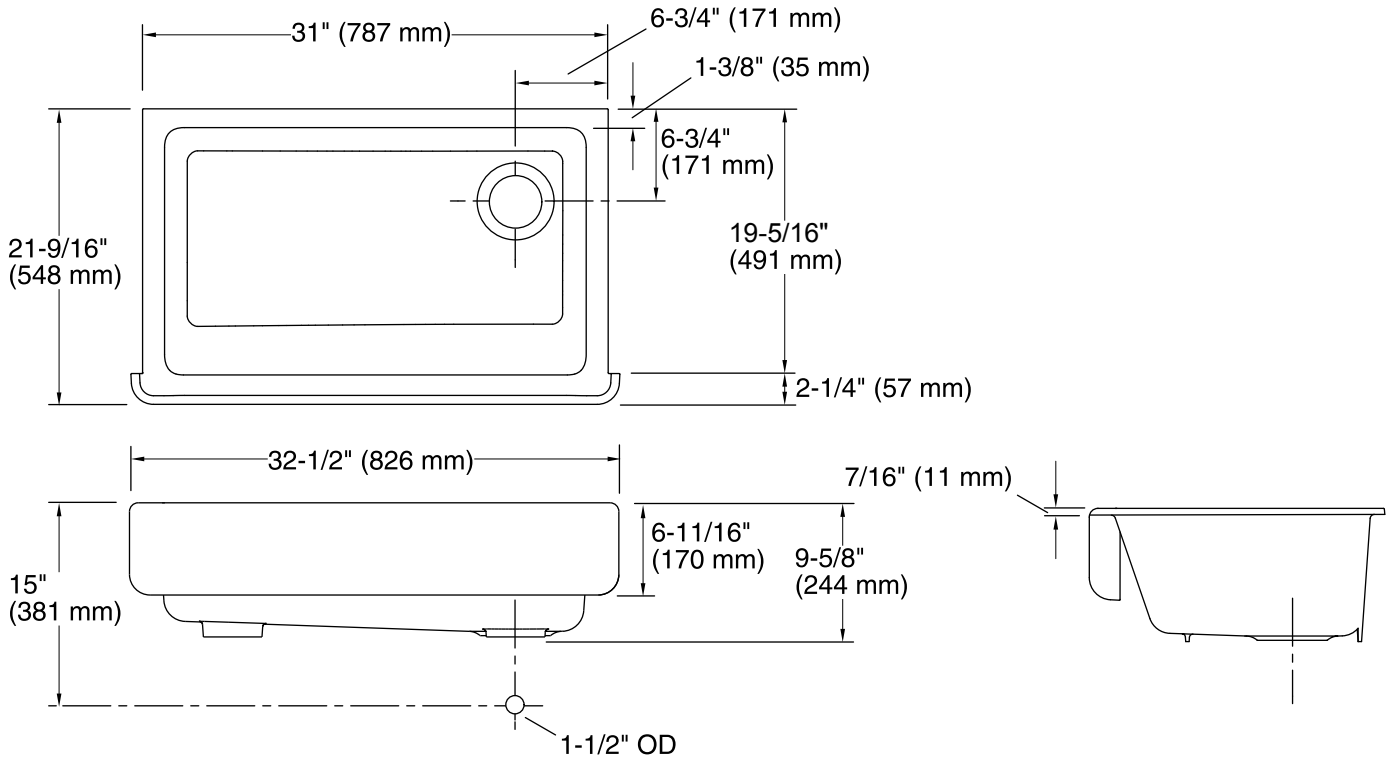


**Codes/Standards**

ASME A112.19.1/CSA B45.2

**Kohler Enameled Cast Iron Kitchen Sink - Lifetime Limited Warranty**

See website for detailed warranty information.



## Technical Information

All product dimensions are nominal.

Bowl configuration:	Single
Installation:	Under-mount
Min. base cabinet width:	33" (838 mm)
Bowl area	Length: 27-3/4" (705 mm) Width: 18-1/16" (459 mm) Bowl depth: 9-5/8" (244 mm) Water depth: 9" (229 mm)
Drain hole:	3-5/8" (92 mm)
Template:	Apron Front, 1214395-7, not required, not included Apron Front, 1214396-7, not required, not included

## Notes

Install this product according to the installation guide.

**NOTICE:** Countertop manufacturer or cutter must use the current product template available at [www.kohler.com](http://www.kohler.com), or by calling 1-800-4KOHLER. Kohler Co. is not responsible for cutout errors when the incorrect cutout template is used.

**IMPORTANT!** The distance from the top edge of the cabinet to the top of the cabinet door must be at least 6-7/8" (175 mm) to install this sink.