

## Features

- Brass construction.
- Lever handle.
- Push-button diverter.

## Required Accessories

K- 11748-K Pressure-Balancing Valve w/Diverter  
or  
K-11748-KS

## Adapters, Rough-in and Extension Kits

1016154

## Optional Accessories

88526 Thin Wall Trim Kit



ADA

CSA B651

OBC


## Codes/Standards

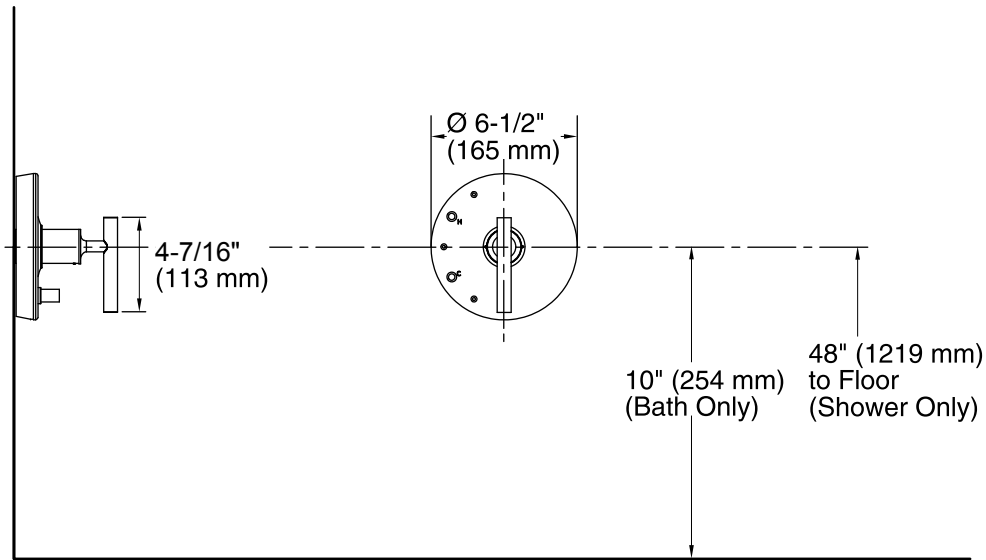
ASME A112.18.1/CSA B125.1  
ASSE 1016  
ADA  
ICC/ANSI A117.1  
CSA B651  
OBC

See website for detailed warranty information.

## Available Color/Finishes

*Color tiles intended for reference only.*

Color	Code	Description
	CP	Polished Chrome
	BN	Vibrant® Brushed Nickel
	BV	Vibrant® Brushed Bronze
	RGD	



### Technical Information

All product dimensions are nominal.

### Notes

Install this product according to the installation guide.

Cap the shower outlet if deck-mount spout, diverter, or handshower is connected to the spout outlet.

ADA, OBC, CSA B651 compliant when installed to the specific requirements of these regulations.