

Features

- Cross handles.
- Push-button diverter.
- 90° spout.
- NPT connection.
- KOHLER finishes resist corrosion and tarnishing, exceeding industry durability standards by over two times.
- Rite-Temp® pressure-balancing technology maintains water temperature within +/-3 degrees Fahrenheit.
- High-temperature limit stop allows you to preset a comfortable maximum temperature to eliminate scalding.
- Completes Purist design solution with KOHLER fixtures and accessories.

Material

- Premium construction ensures durability and reliability.

Required Accessories

- K- 304-CS Pressure-balancing Valve With Stops
- or
- K- 304-CX Pressure-balancing Valve Less Stops
- or
- K- 304-K Pressure-balancing Valve Less Stops
- or
- K- 304-KS Pressure-balancing Valve With Stops
- or
- K- 304-PS Pressure-balancing Valve With Stops
- or
- K- 304-PX Pressure-balancing Valve Less Steps
- or
- K- 304-US Pressure-balancing Valve With Stops
- or
- K- 304-UX Pressure-balancing Valve Less Stops
- or
- K- 2971-KS 3/4" Pressure-balancing Valve
- or
- K- 11748-K Pressure-Balancing Valve w/Diverter
- or
- K- 11748-KS Pressure-Balancing Valve w/Diverter

Optional Accessories

- 88526 Thin Wall Trim Kit
- 1016154 Right-Temp Deep Rough-In




Codes/Standards

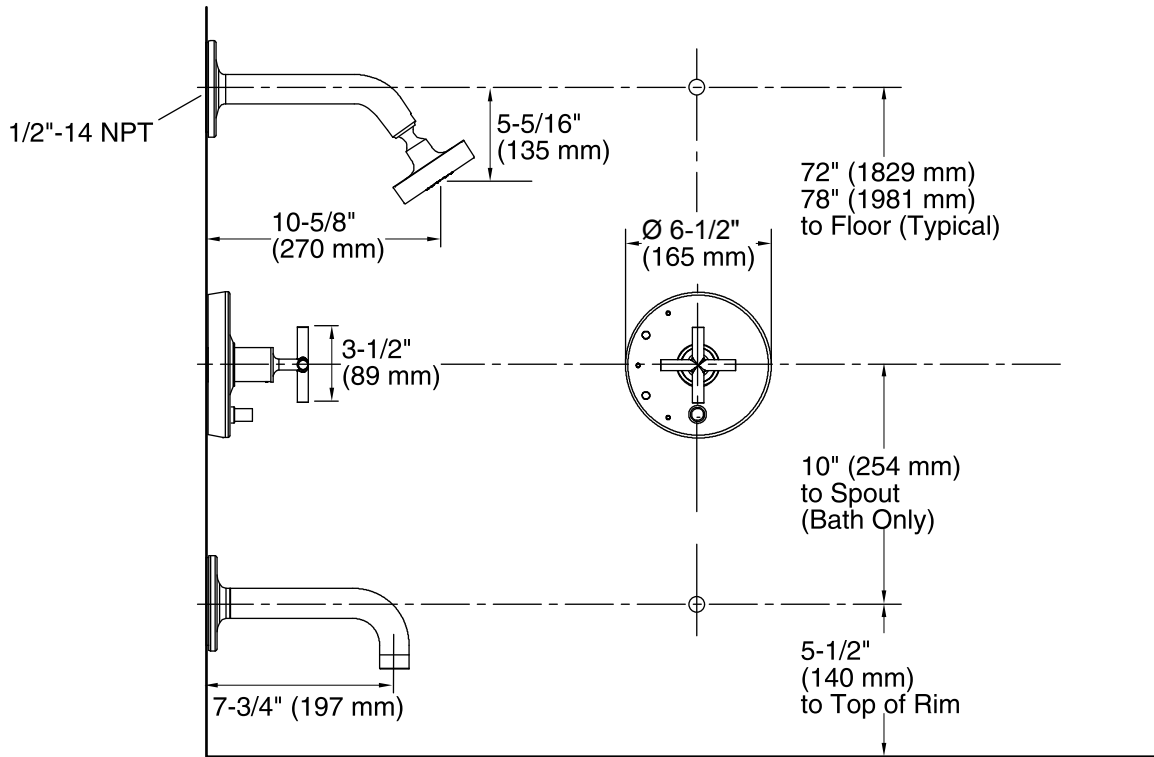
ASME A112.18.1/CSA B125.1
ASSE 1016
DOE - Energy Policy Act 1992

See website for detailed warranty information.

Available Color/Finishes

Color tiles intended for reference only.

Color	Code	Description
	CP	Polished Chrome
	SN	Vibrant® Polished Nickel
	BN	Vibrant® Brushed Nickel
	BV	Vibrant® Brushed Bronze



Technical Information

All product dimensions are nominal.

Showerhead:

Rated maximum flow: 2.5 gal/min (9.5 l/min)

Pressure: 80 psi (5.5 bar)

Notes

Install this product according to the installation guide.

Avoid cross-flow conditions. Do not install shut-off device on either valve outlet.

Cap the shower outlet if deck-mount spout, diverter, or handshower is connected to the spout outlet.