

Features

- Brass construction.
- MasterClean™ spray nozzles prohibit mineral build-up.
- Complements Loure® Suite.
- Push button diverter.
- Requires a Rite-Temp® valve.

Required Accessories

K- 11748-K Pressure-Balancing Valve w/Diverter

or

K- 11748-KS Pressure-Balancing Valve w/Diverter



Codes/Standards

ASME A112.18.1/CSA B125.1




ASSE 1016

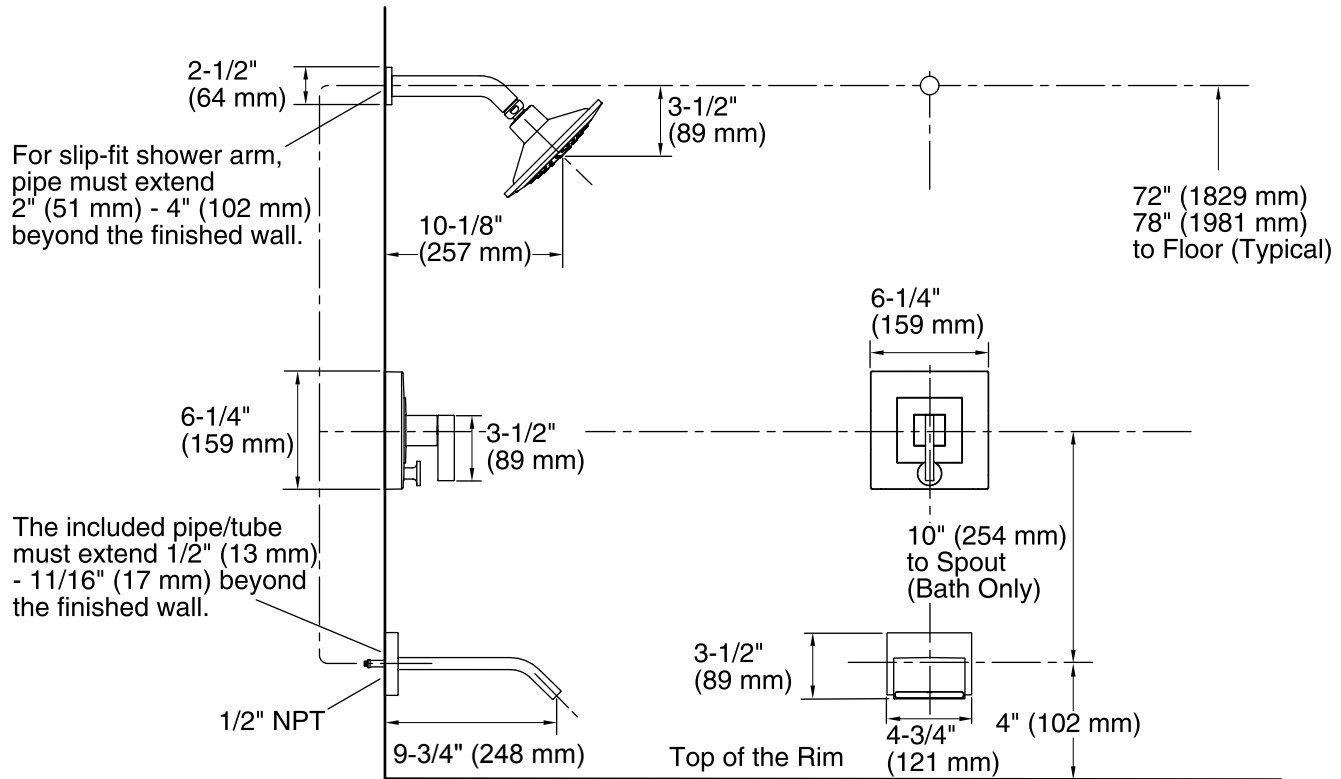
KOHLER® Faucet Lifetime Limited Warranty

See website for detailed warranty information.

Available Color/Finishes

Color tiles intended for reference only.

Color	Code	Description
	CP	Polished Chrome
	SN	Vibrant® Polished Nickel
	BN	Vibrant® Brushed Nickel



Technical Information

All product dimensions are nominal.

Notes

Install this product according to the installation guide.

Avoid cross-flow conditions. Do not install a shut-off device on either valve outlet.

Cap the shower outlet if the deck-mounted spout, diverter, or handshower is connected to the spout outlet.

Install straight pipe or tube drop of 7" (178 mm) to 18" (457 mm) with single elbow between the valve and the wall-mount spout. Elbow must be a 90 degree drop ell that is secured to rigid framing.