

Features

- Metal construction
- Front seal plate assembly
- Handle assembly

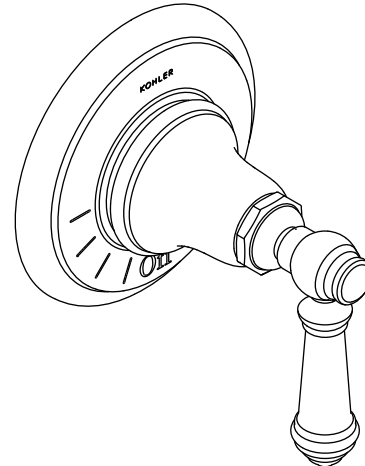
**VOLUME CONTROL FAUCET TRIM
K-T72771**

ADA

Codes/Standards Applicable

Specified model meets or exceeds the following:

- ADA
- ICC/ANSI A117.1
- ASME A112.18.1/CSA B125.1






Colors/Finishes

- CP: Polished Chrome
- Other: Refer to Price Book for additional colors/finishes

Accessories

- NA: None applicable

Specified Model

Model	Description	 ADA	 ADA	 ADA
K-T72771-4	Volume control trim - Basic lever handle	<input type="checkbox"/> CP <input type="checkbox"/> Other		
K-T72771-3M	Volume control trim - 6-Prong handle		<input type="checkbox"/> CP <input type="checkbox"/> Other	
K-T72771-9M	Volume control trim - Vertical lever handle			<input type="checkbox"/> CP <input type="checkbox"/> Other

Required Accessories		
K-2974-K (replaces K-681-K)	1/2" Volume control valve	<input type="checkbox"/> NA
K-2977-K (replaces K-671-K)	3/4" Volume control	<input type="checkbox"/> NA

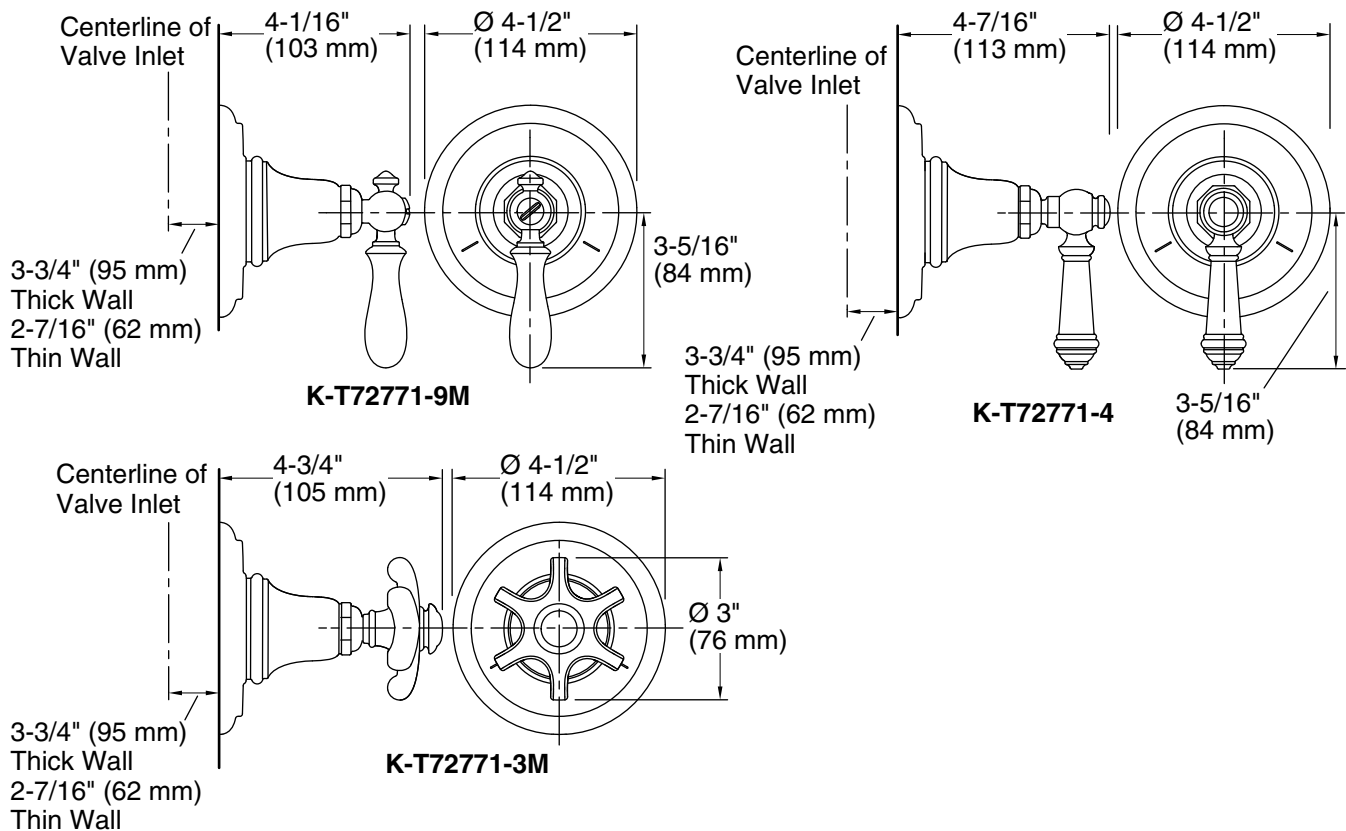
Product Specification

Volume control faucet trim shall be metal construction. Trim shall include front seal plate assembly and handle assembly. Faucet trim shall be Kohler Model K-T72771-____ and volume control valving shall be K-____-____-NA.

ARTIFACTS™

Installation Notes

Install this product according to the installation guide.



Product Diagram