

Features

- Two lever handles offer separate control of hot and cold water.
- High-arch non-diverter spout.
- Trim only; requires K-300-K, K-300-KR, or K-301-K high-flow ceramic disc valves (sold separately).
- Coordinates with other products in the Archer collection.

Material

- Premium metal construction.
- KOHLER finishes resist corrosion and tarnishing.

Recommended Accessories

- K- 300-K 1/2" Ceramic High-flow Valve System
- K- 301-K 3/4" Ceramic High-flow Valve System



ADA



Codes/Standards

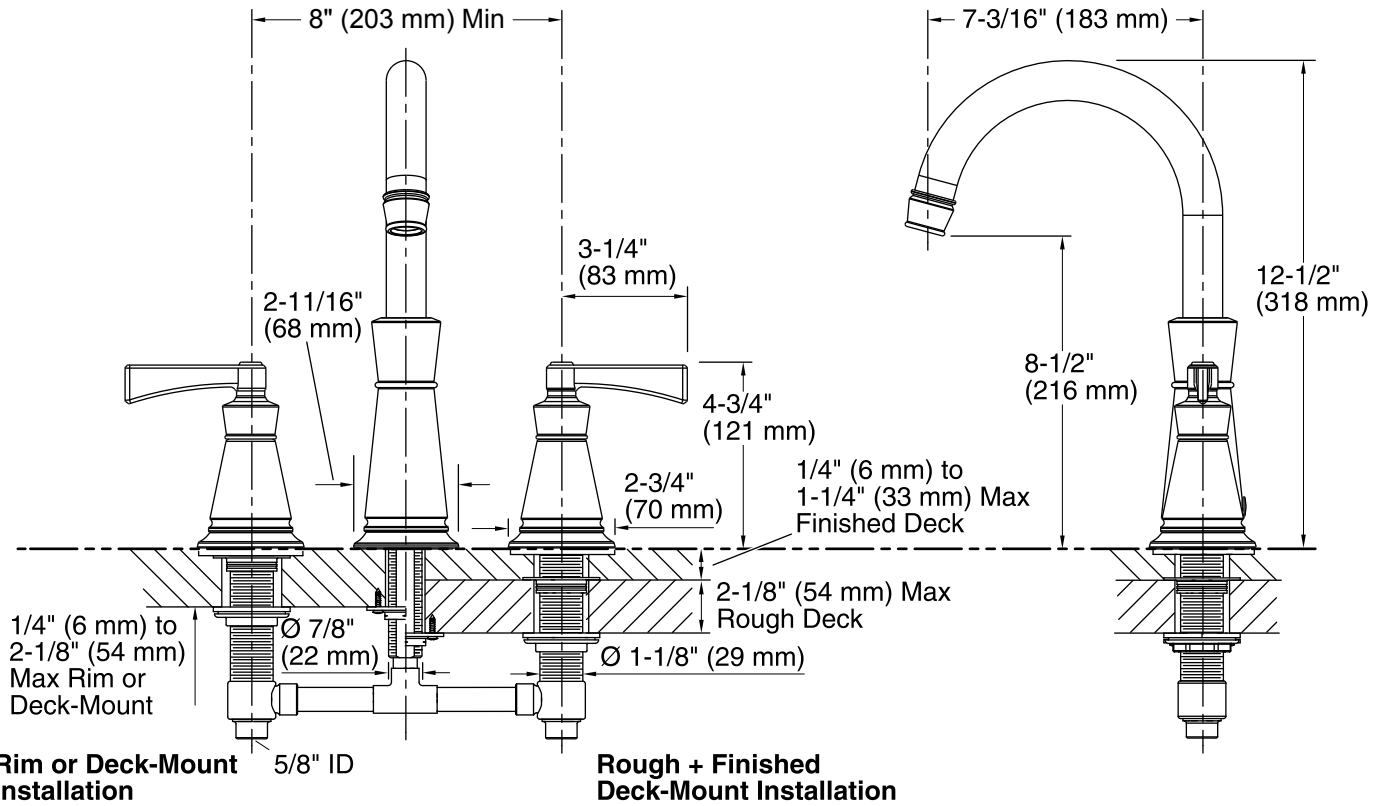
ASME A112.18.1/CSA B125.1
ADA
ICC/ANSI A117.1

See website for detailed warranty information.

Available Color/Finishes

Color tiles intended for reference only.

Color	Code	Description
	CP	Polished Chrome
	BN	Vibrant® Brushed Nickel



Technical Information

All product dimensions are nominal.

Valve body: Machined Brass
Spout reach: 7-3/16" (183 mm)

Notes

Install this product according to the installation guide.

ADA compliant when installed to the specific requirements of these regulations.