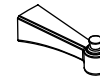


### Features

- Metal construction
- Brass valve bodies
- High-temperature limit setting for added safety
- Rite-Temp® pressure-balancing diaphragm design
- Mixing valve cycles from "cold" to "hot"
- Intended for use with Rite-Temp® or HiFlow Rite-Temp® valves
- Pressure-balancing mechanism of one-piece diaphragm cartridge design for ease of maintenance

### BATH & SHOWER TRIM SET **K-T11077** ALSO K-T11078, K-T98763



### Codes/Standards Applicable

Specified model meets or exceeds the following:

- ASME A112.18.1/CSA B125.1
- ASSE 1016

### Colors/Finishes

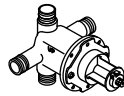

- CP: Polished Chrome
- Other: Refer to Price Book for additional colors/finishes

### Accessories

- NA: None applicable

### Specified Model

Model	Description	Colors/Finishes	
K-T11077-4	Bath & shower trim set, with 1/2" NPT threaded or slip-fit diverter spout	<input type="checkbox"/> CP	<input type="checkbox"/> Other ____
K-T11078-4	Shower only trim set	<input type="checkbox"/> CP	<input type="checkbox"/> Other ____
K-T98763-4	Valve only trim	<input type="checkbox"/> CP	<input type="checkbox"/> Other ____

Required Accessories			
K-304-*	Rite-Temp® valve <b>OR</b>	<input type="checkbox"/> NA	
K-2971-KS	HiFlow Rite-Temp valve with stops		<input type="checkbox"/> NA

\* For a complete listing of all the Rite-Temp valves, refer to the K-304-\* Specification Sheet or Roughing-In sheet.

### Product Specification

The valve trim shall be made of metal construction with brass valve bodies. Product shall have a Rite-Temp pressure-balancing diaphragm design valve and pressure-balancing mechanism of one-piece diaphragm cartridge design for ease of maintenance. Product shall feature mixing valve cycles from "cold" to "hot," a high-temperature limit setting for added safety. Product is intended for use with Rite-Temp or HiFlow Rite-Temp valves. Valve trim shall be Kohler Model K-T \_\_\_\_\_ - \_\_\_\_\_ - \_\_\_\_\_ and required Rite-Temp valve shall be K- \_\_\_\_\_ - \_\_\_\_\_ - NA.

# ARCHER®

## Optional Accessories

88526	HiFlow Rite-Temp® thin wall installation kit	<input type="checkbox"/> CP	<input type="checkbox"/> Other _____	
1073881	HiFlow Rite-Temp thick wall installation kit			<input type="checkbox"/> NA

## Installation Notes

Install the valve trim according to the installation guide.

Install the Rite-Temp valve according to the installation guide.

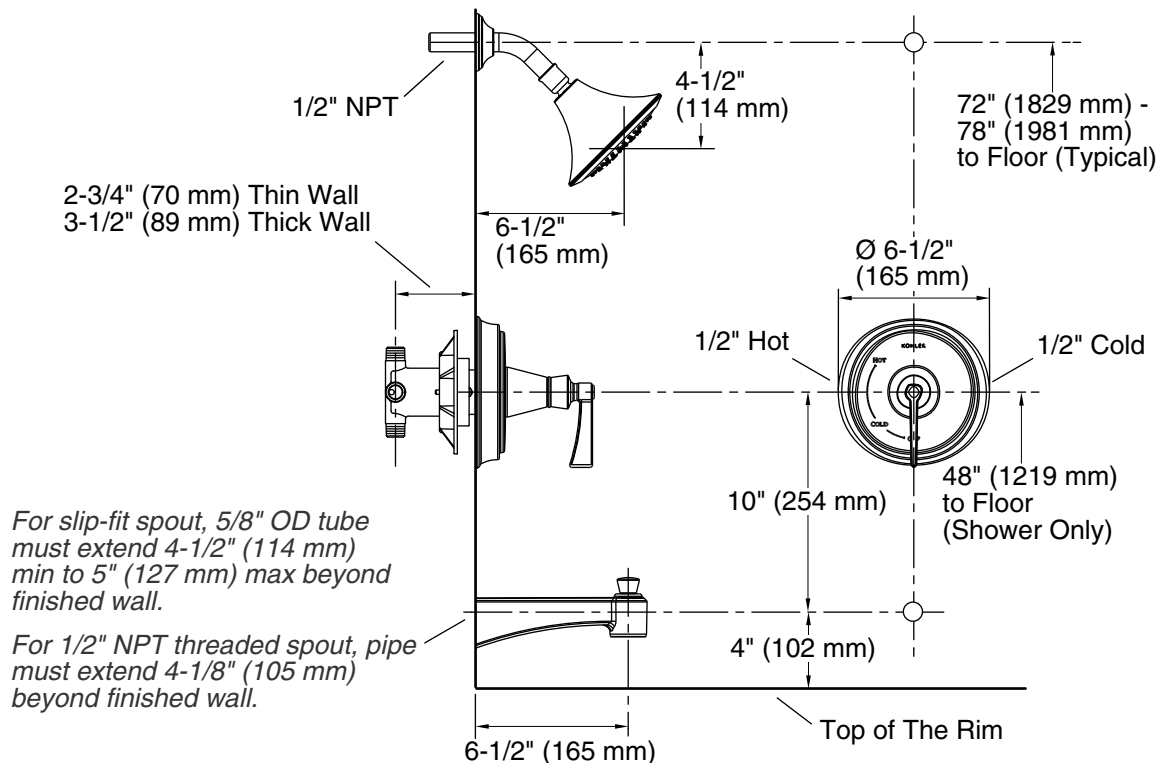
**NOTICE: Risk of product damage.** Long screws, for installing trim, can damage the K-2971-KS valve. Consult the trim installation guide to verify if the thin wall installation kit (88526) is needed.

Avoid cross-flow conditions. Do not install a shut-off device on either valve outlet.

Cap the shower outlet if the deck-mounted spout, diverter, or handshower is connected to the spout outlet.

Install a 7" (178 mm) to 18" (457 mm) straight pipe or straight tube with single bath elbow between the valve and the wall-mount spout.

Due to the waterway location in the spout, the finished wall should touch the top surface of the supply pipe.



## Product Diagram