



Whitehaven®

Self-Trimming® Under-Mount Apron Front Sink

K-6426

Features

- Double (medium/large) bowl.
- Smart Divide® lowered divider.
- With 6-11/16" (170 mm) Self-Trimming integral apron.
- Fits a standard 36" sink base cabinet.
- 35-1/2" (902 mm) x 21-9/16" (548 mm)

Material

- KOHLER cast iron.
- Acid-resistant enamel finish.

Installation

- Under-mount

Recommended Accessories

K- 9000 P-Trap

Optional Accessories

K- 5828 Basin Rack Large
K- 5874 Basin Rack Small
K- 8801 Sink Strainer

Components

Additional included component/s: Countertop cut-out template, and Cabinet face cut-out template.

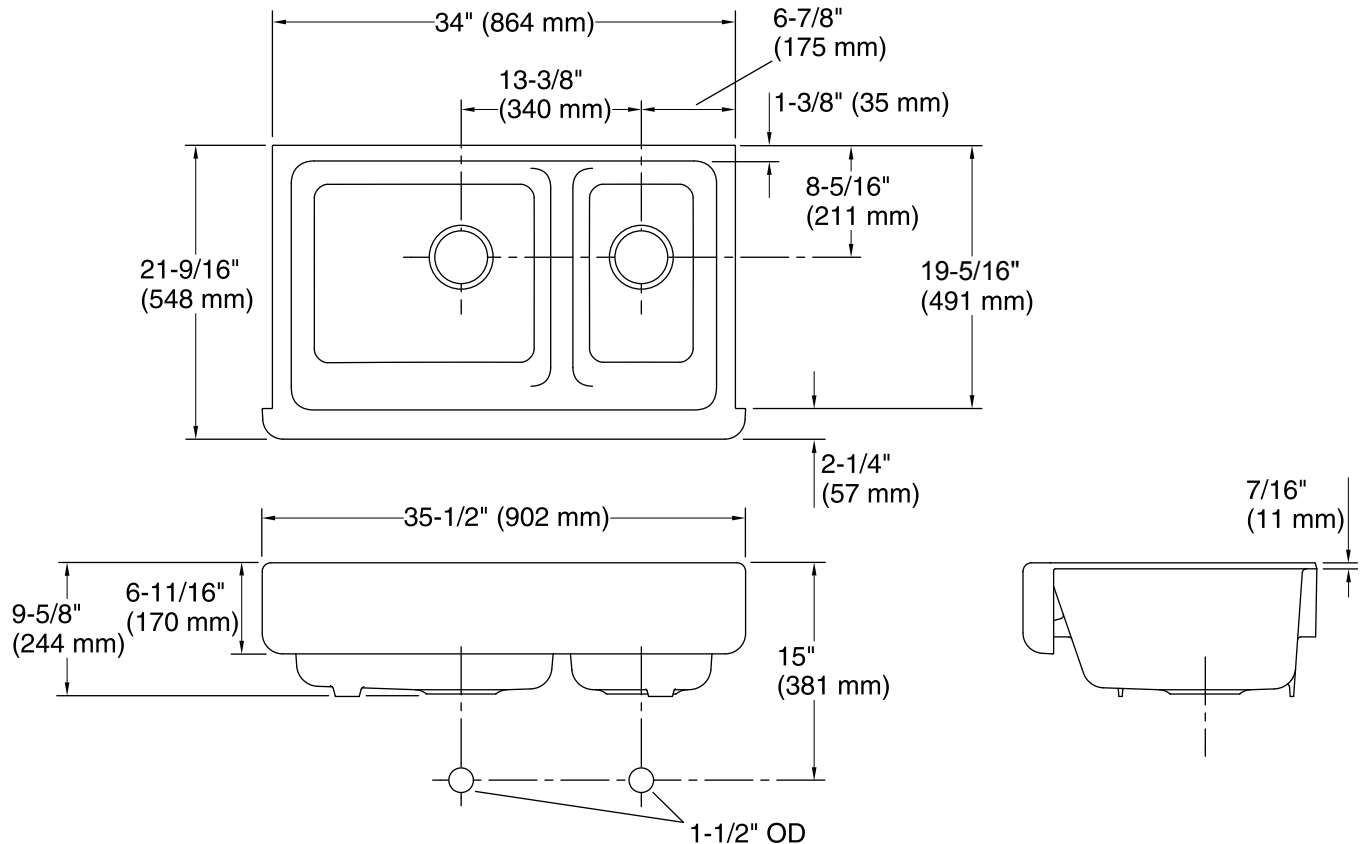


Codes/Standards

ASME A112.19.1/CSA B45.2

Kohler Enameled Cast Iron Kitchen Sink - Lifetime Limited Warranty

See website for detailed warranty information.



Technical Information

All product dimensions are nominal.

Bowl configuration:	Large/medium
Installation:	Under-mount
Min. base cabinet width:	36" (914 mm)
Bowl area	Length: 18-13/16" (478 mm) Width: 18-1/16" (459 mm) Bowl depth: 9" (229 mm) Water depth: 9" (229 mm)
Bowl area	Length: 10-5/16" (262 mm) Width: 18-1/16" (459 mm) Bowl depth: 9" (229 mm) Water depth: 9" (229 mm)
Drain hole:	3-5/8" (92 mm)

Notes

Install this product according to the installation guide.

NOTICE: The countertop manufacturer or cutter must use the cut-out template provided with the product, or a current one provided by Kohler Co. (call 1-800-4KOHLER). Kohler Co. is not responsible for cut-out errors when the incorrect cut-out template is used.

IMPORTANT! The distance from the top edge of the cabinet to the top of the cabinet door must be at least 6-7/8" (175 mm) to install this sink.