

Features

- 17-gauge brass construction.
- Brass tailpiece.
- 2" (51 mm) NPT connection.
- Above-floor or through-floor installation.
- For whirlpool baths with 23" (584 mm) to 25" (635 mm) depth.



Codes/Standards




ASME A112.18.2/CSA B125.2

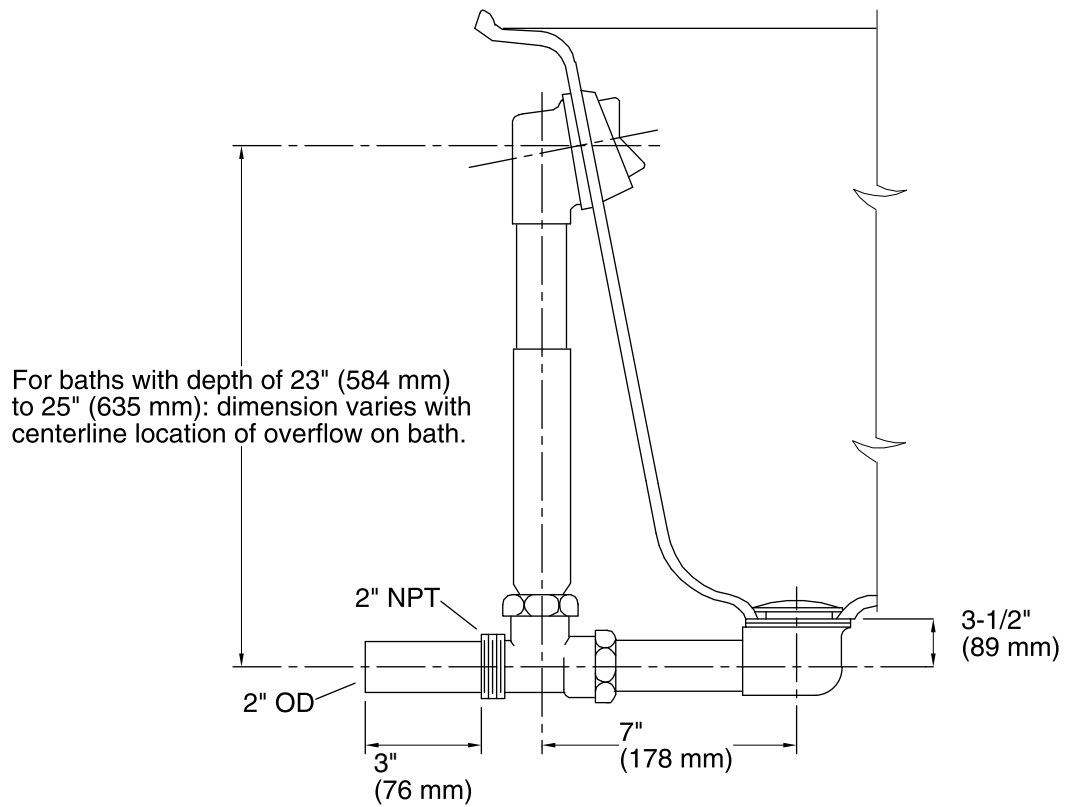
KOHLER® One-Year Limited Warranty

See website for detailed warranty information.

Available Color/Finishes

Color tiles intended for reference only.

Color	Code	Description
	CP	Polished Chrome
	BN	Vibrant® Brushed Nickel
	2BZ	Oil-Rubbed Bronze



Technical Information

All product dimensions are nominal.

Notes

Install this product according to the installation guide.