

## Features

- Valvet® valves.
- Adjustable flanges.
- For 8" (203 mm) centers.
- Stationary gooseneck spout.
- Lever handles.
- 5-3/16" (132 mm) spout reach.
- 1/2" NPT inside threaded inlets.
- Lower flow aerator options available (refer to the Kohler Price Book).
- 2.2 gal/min (8.3 l/min) maximum flow rate [max at 60 psi (4.14 bar)].

## Material

- Brass construction.
- Brass valve bodies.

## Optional Accessories

1160594 Large Spray Aerator 0.35 gpm (1.3 l/min)



**ADA**

## Codes/Standards

ASME A112.18.1/CSA B125.1

NSF 61

NSF 372

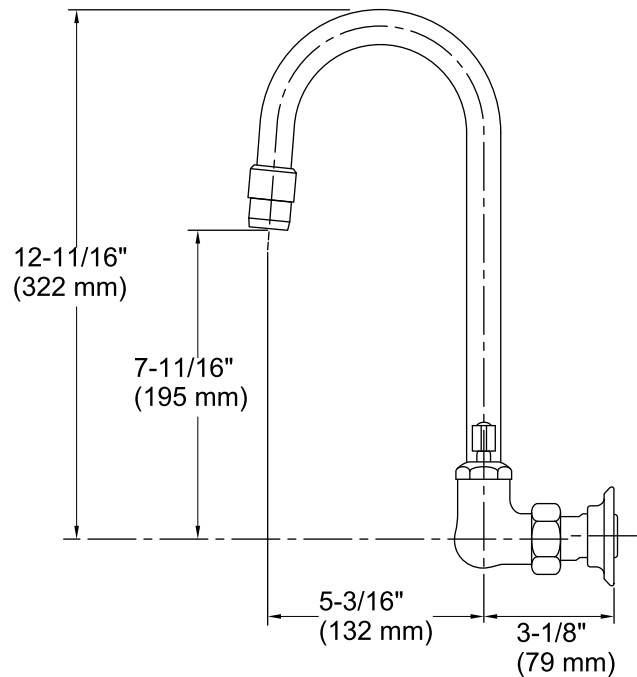
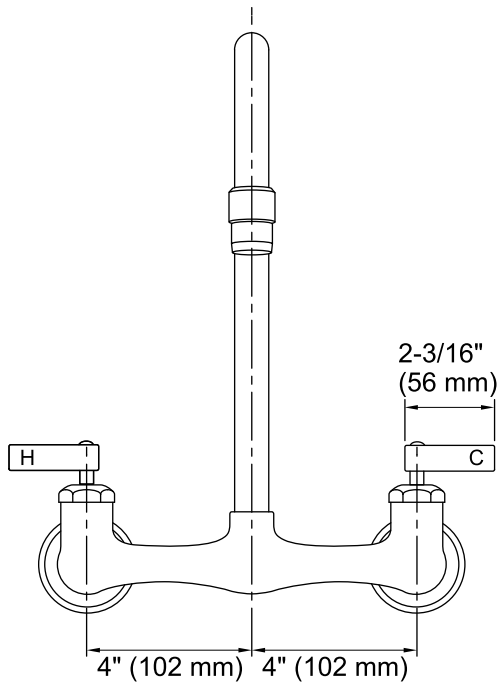
ADA

ICC/ANSI A117.1

All applicable US Federal and State material regulations

## KOHLER® Faucet Lifetime Limited Warranty

See website for detailed warranty information.



### Technical Information

All product dimensions are nominal.

Spout reach: 5-3/16" (132 mm)

### Faucet:

Flow rate: 2.2 gal/min (8.3 l/min)

Pressure: 60 psi (4.1 bar)

### Notes

Install this product according to the installation guide.

ADA compliant when installed to the specific requirements of these regulations.