

Features

- Brass construction.
- Brass valve bodies.
- Valvet® valves.
- Adjustable flanges.
- Stationary gooseneck spout.
- Lever handles.
- For 8" (203 mm) centers.
- 5-3/16" (132 mm) spout reach.
- 1/2" NPT inside threaded inlets.
- Rosespray.
- Lower flow aerator options available (refer to the Kohler Price Book).
- 2.2 gal/min (8.3 l/min) maximum flow rate [max at 60 psi (4.14 bar)].



ADA

Codes/Standards

ASME A112.18.1/CSA B125.1

NSF 61

NSF 372

ADA

ICC/ANSI A117.1

All applicable US Federal and State material regulations






KOHLER® Faucet Lifetime Limited Warranty

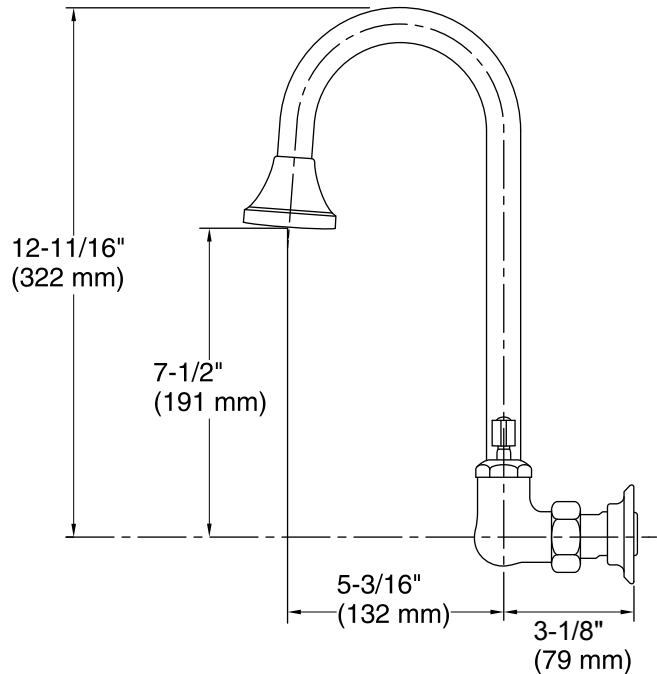
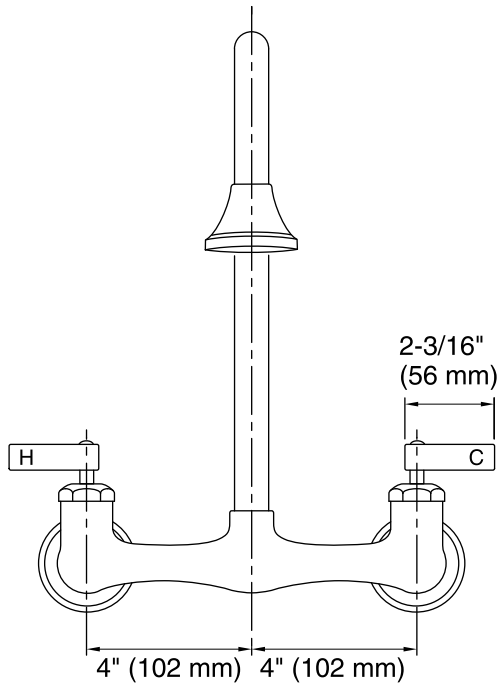
See website for detailed warranty information.

Available Color/Finishes

Color tiles intended for reference only.

| Color | Code | Description |
|-------|------|-------------|
|-------|------|-------------|

| | | |
|--|----|--------------------------|
|  | CP | Polished Chrome |
|  | SN | Vibrant® Polished Nickel |
|  | PB | Vibrant® Polished Brass |
|  | G | Brushed Chrome |
|  | BN | Vibrant® Brushed Nickel |



Technical Information

All product dimensions are nominal.

Spout reach: 5-3/16" (132 mm)

Faucet:

Flow rate: 2.2 gal/min (8.3 l/min)

Pressure: 60 psi (4.1 bar)

Notes

Install this product according to the installation guide.

ADA compliant when installed to the specific requirements of these regulations.