

# 1/4" ICE MAKER OUTLET BOX

» 696 SERIES

OxBox™

## SPECIFICATION

Sioux Chief 696 series OxBox 1/4" compression outlet connection outlet box shall be used where necessary in plumbing supply systems. Box shall allow for mounting with supply line from top or bottom, on-stud or between studs. Unit shall be available with plain valve or valve and water hammer arrester. Arrester shall be certified to ASSE 1010 and shall be UPC listed. Metal support bracket shall install into top track of box for between stud configuration. Outlet connection shall be generally 1/4".

## MATERIALS

**Outlet box:** ABS

**Frame:** ABS

**Bracket:** galvanized steel

**Arrester body:** stainless steel

**Piston:** polypropylene with two EPDM o-rings

**Piston lubrication:** Dow-Corning, 111 FDA approved silicone compound

**Valve body:** chrome-plated forged brass

## VALVE/ARRESTER WORKING LIMITS

**Working temp:** : 250°F

**Testing air pressure:** 100 PSIG

**Working/testing water pressure:** 250 PSIG

## DIMENSIONS

A: frame width	5 3/4"
B: frame height	7 1/4"
C: frame opening width	3 5/8"
D: frame opening height	5 1/8"
E: rough-in box inner width	4"
F: rough-in box overall depth	3 1/2"
G: rough-in box inner height	5 1/2"
H: supply connection	1/2" nominal (see 'C' below)
I: outlet connection	1/4" compression
J: bracket length	18"
K: bracket width	5/8"

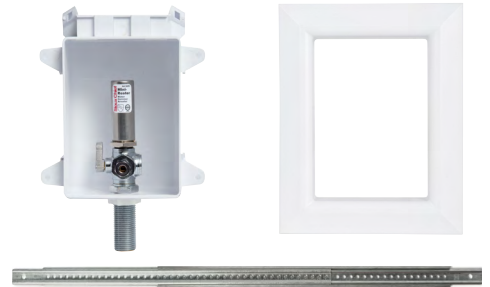
## CERTIFICATIONS/APPROVALS

Listed by UPC/IAPMO to meet UPC

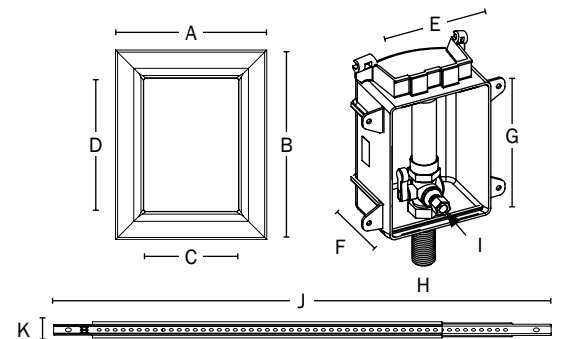
Conforms to IPC

Valves meet ASME A112.18.1

ITEM # SUBMITTED	_____
JOB NAME	_____
LOCATION	_____
ENGINEER	_____
CONTRACTOR	_____
PO#	_____ TAG _____



696-1010MF



## Create Item Number

### 696-G10A0BC

e.g. 696-1010MF: 1/4" compression outlet connection box, female sweat valve with arrester, packaged with frame

#### ARRESTER A

0 = no arrester  
1 = with arrester

#### SUPPLY CONNECTION B

M = 1/2" female sweat  
C = 1/2" male CPVC  
X = 1/2" PEX Crimp F1807  
W = 1/2" PEX Grip F1960  
V = 1/2" Viega PureFlow® PEX  
A = 1/2" PEX Lock F2080

#### FRAME PACKAGING C

F = standard pack (supply box, frame, bracket, debris cover)  
R = rough-in pack<sup>2</sup> (supply box, bracket, debris cover)

<sup>1</sup>Compliant with NSF-372 and California No Lead Plumbing Law

<sup>2</sup>Order frame (696-1F) separately