



Agency Approvals:

Without Eliminator Conduit Option –
Class I, Groups A, B, C & D
Class II, Groups E, F & G

With Eliminator Conduit Option –
Class I, Groups C & D
Class II, Groups F & G

Type 4, 4X Enclosures (NEMA 4, 4X)

Product Overview

AccuTrak™ Rotary Position Monitors with mechanical switches or Magnum (hermetically sealed proximity type) switches.

360 – Aluminum Enclosure with polyurethane finish

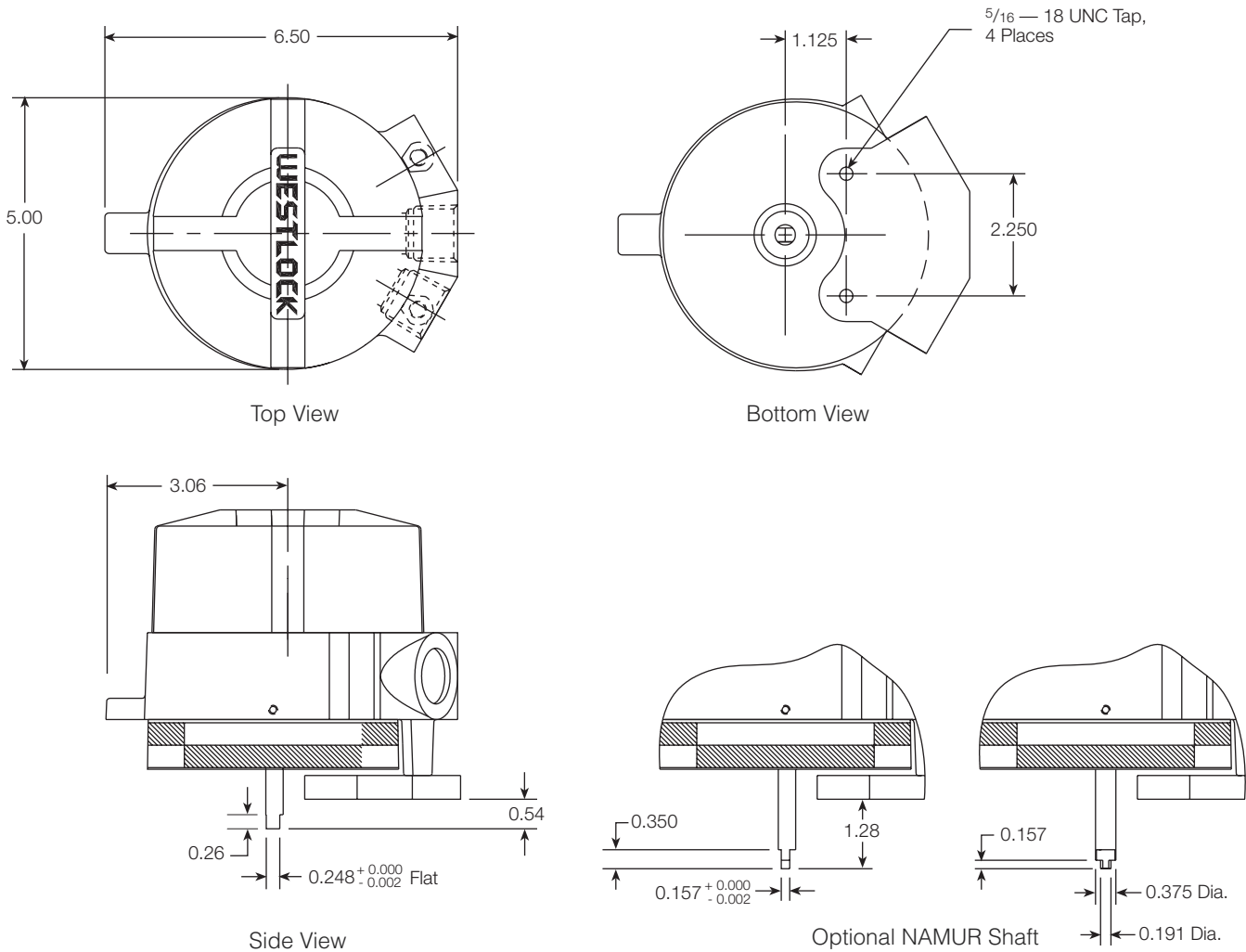
Features and Benefits

- Magnum limit switches with Rhodium contacts recommended for use with low power I/O's for longer contact life.
- The Westlock™ Beacon is manufactured from a high impact strength and corrosion resistant co-polyester that offers 360 degree instant visual recognition of valve position from up to 150 feet away.
- Touch set cams are hand adjustable, spring loaded and self-locking providing quick calibration of position sensors.
- Terminal strips are pre-wired and numbered with generous working space for ease of use.
- All units are standard with an additional conduit for easy field wiring and mounting accessories.
- All AccuTrak™ and Quantum products utilize a standardized mounting pattern for easy adaptation to common bracketry.
- Low copper content aluminum enclosures (0.2% maximum copper content) ensure robust performance in corrosive environments.



Westlock is either a trademark or registered trademark of Tyco International Services AG or its affiliates in the United States and/or other countries. All other brand names, product names, or trademarks belong to their respective holders.

Dimensions



Technical Specifications

Materials of Construction

Enclosure: Aluminum with polyurethane coating
 Shaft and hardware: Stainless steel
 Bushing: Oil impregnated bronze
 Beacon visual indicator: Co-polyester

Options

4-20 mA position transmitter
 For transmitter specifications see reference

Available Switches

- V3 mechanical switches, SPDT
- DPDT (Form CC) mechanical switches
- Magnum, SPDT hermetically sealed switches, with Tungsten contacts
- Magnum, SPDT hermetically sealed switches, with Rhodium contacts

For switch electrical ratings see reference section

Important Application Notes: For very low power sensing applications, Power \leq 240 mW (24 VDC @10 mA for example) Magnum sensors with Rhodium contacts, M12 (SPDT), MUST be used.

Magnum and Sensors Only PLC input modules utilize capacitors to filter out electrical noise. Newer, more sensitive designs have higher input impedances and lower operating currents and thus require higher values of capacitance for filtration.

If the DI card Capacitance \geq 0.01 μ F a resistor of appropriate size MUST be used in series with the switch contacts to prevent the capacitive discharge from damaging the switch contacts. As an alternative, specify the MagPAC. Please contact your sales representative for resistor sizing, capacitance measurement procedure and other required information.

Ordering Guide (Quick ship options are in bold)

Base Model

360 Aluminum Enclosure

Shaft Output

- S** Standard (Double-D with 1/4" Flats)
- N** NAMUR

Beacon

- BY** Black/Open - Yellow/Closed (Standard)
- RG** Red/Closed - Green/Open

Conduit

- 2B** Two 3/4" NPT (F)
- 3B** Three 3/4" NPT (F)
- 2E** One 3/4" NPT (F) and One 1/2" NPT [M] Eliminator Fitting*
- 3E** Two 3/4" NPT (F) and One 1/2" NPT [M] Eliminator Fitting*

Position Switches (Refer to Application Note Below)

- 2M02** Two SPDT Mechanical Switches - 10 pt. TS
- 2M04** Two DPDT Mechanical Switches - 14 pt. TS
- 2M06** Two SPDT Magnum Switches - 10 pt. TS
- 2M12** Two SPDT Magnum Switches with Rhodium contacts - 10 pt. TS
- 4M02** Four SPDT Mechanical switches - 14 pt. TS
- 4M06** Four SPDT Magnum Switches - 14 pt. TS
- 4M12** Four SPDT Magnum Switches with Rhodium contacts - 14 pt. TS

Analog Position Transmitter

- 00** None
- CS** 4-20 mA Position Transmitter - 10 pt. TS (only available with 2M02, 2M06, 2M12 switch options)

360 N BY 2B 2M12 00 = Model Number **360NBY2B2M1200**

* Eliminator Fitting is 1/2" NPT (M) for the purpose of mounting an after market solenoid valve.

Note: Model 360 options available in 316 stainless steel enclosure as Model 366.

USA/Canada: Saddle Brook, NJ
Ph: 201-794-7650
Dedicated Order Fax: 201-794-4790
General Fax: 201-794-0913
www.westlockcontrols.com

Europe/Asia: Kent, England
Ph: + 44 189 251 6277
Fax: + 44 189 251 6279
www.westlockuk.com

South America: Barueri, Sao Paulo
Ph: + 55 11 2588 1400
Fax: + 55 11 2588 1410
www.westlock.com.br

Tyco Flow Control (TFC) provides the information herein in good faith but makes no representation as to its comprehensiveness or accuracy. This data sheet is intended only as a guide to TFC products and services. Individuals using this data sheet must exercise their independent judgment in evaluating product selection and determining product appropriateness for their particular purpose and system requirements. TFC MAKES NO REPRESENTATIONS OR WARRANTIES, EITHER EXPRESS OR IMPLIED, INCLUDING WITHOUT LIMITATION ANY WARRANTIES OF MERCHANTABILITY OR FITNESS FOR A PARTICULAR PURPOSE WITH RESPECT TO THE INFORMATION SET FORTH HEREIN OR THE PRODUCT(S) TO WHICH THE INFORMATION REFERS. ACCORDINGLY, TFC WILL NOT BE RESPONSIBLE FOR DAMAGES (OF ANY KIND OR NATURE, INCLUDING INCIDENTAL, DIRECT, INDIRECT, OR CONSEQUENTIAL DAMAGES) RESULTING FROM THE USE OF OR RELIANCE UPON THIS INFORMATION. Patents and Patents Pending in the U.S. and foreign countries. Tyco reserves the right to change product designs and specifications without notice. All registered trademarks are the property of their respective owners. Printed in the USA.