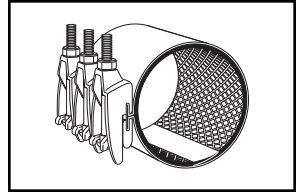


SUBMITTAL INFORMATION

Repair Clamps - (F1-xxx-length style)



2" TO 4" STAINLESS STEEL REPAIR CLAMPS WITH DUCTILE IRON LUGS

Optional Stainless Taps

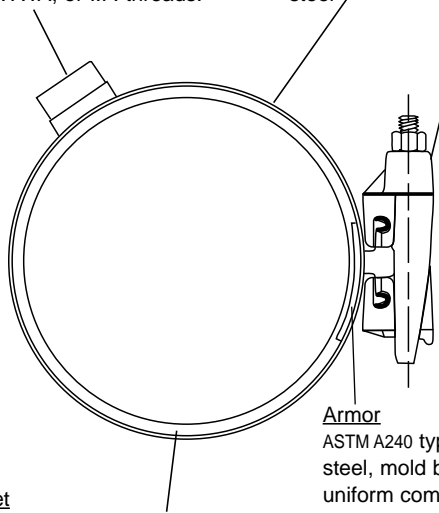
ASTM A240 type 304 stainless steel
TIG welded to band. Available
with AWWA, or I.P. threads.

Band

ASTM A240 type
304 stainless
steel

Lugs

Ductile Iron per ASTM A536
Finish: Standard Shop Coat

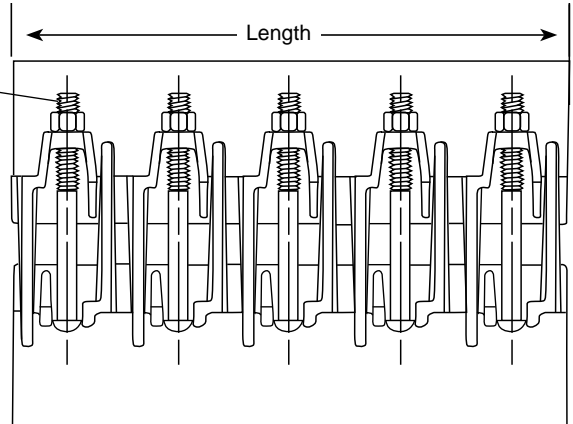


Nuts and Bolts

Low alloy steel per ASTM
A242 and AWWA
C111/A21.11

Optional

304 Stainless Steel Bolts
and Nuts



Armor

ASTM A240 type 304 heavy gauge stainless
steel, mold bonded into the gasket to insure
uniform compression against the pipe

Gasket

Gridded Virgin SBR compounded for
water service, per ASTM D2000. Buna-N,
Nitrile, is available as optional material.

OUTLET THREAD TAP CODE

CC (AWWA) Thread			IP Thread		
THREAD	CODE NUMBER	MIN. CLAMP Sz.	THREAD	CODE NUMBER	MIN. CLAMP Sz.
3/4" CC	-CC3	2.63	3/4" IP	-IP3	2.63
1" CC	-CC4	2.63	1" IP	-IP4	2.63
1-1/4" CC	-CC5	3.70	1-1/4" IP	-IP5	3.70
1-1/2" CC	-CC6	4.25	1-1/2" IP	-IP6	3.70
2" CC	-CC7	4.73	2" IP	-IP7	4.25

NOM. PIPE SIZE	PIPE O.D. RANGE	LENGTH AND APPROXIMATE WEIGHT (LBS.)						BOLT SIZE	BAND THICKNESS	CATALOG NUMBER F1-XXX-LENGTH	✓ SUBMITTED ITEM(S)	
		7.5"	10"	12.5"	15"	20"	30"					
2"	2.35 - 2.63	7	9	12	14	n/a	n/a	5/8" x 6-1/2"	24 GA.	F1-263-		
2-1/4" - 2-1/2"	2.70 - 3.00	7	10	12	14	n/a	n/a			F1-300-		
										F1-325-		
3"	2.97 - 3.25	8	10	12	14	n/a	n/a			F1-370-		
										F1-400-		
3" - 4"	3.96 - 4.25	8	11	13	15	n/a	n/a			F1-425-		
										F1-473-		
4"	4.74 - 5.14	11	15	18	22	29	44			F1-514-		
										F1-535-		
										F1-562-		
Number of Bolts		3	4	5	6	8	12					

FEATURES

- Drop-in bolt design allows bolts to remain attached - no loose parts to lose in the ditch.
- Also available in two- and three- section clamps for a wider range of pipe sizes and tolerances.
- Optional Outlet Taps are available for repair of service line pull-outs. Add tapping code to catalog number.
- All welds are fully passivated to restore corrosion resistant characteristics of stainless steel.
- Removable Lugs
- UL Classified to ANSI/NSF Standard 61

The Ford Meter Box Company considers the information in this submittal form to be correct at the time of publication. Item and option availability, including specifications, are subject to change without notice. Please verify that your product information is current.



The Ford Meter Box Company, Inc.

P.O. Box 443, Wabash, Indiana U.S.A. 46992-0443

Phone: 260-563-3171 / Fax: 800-826-3487

Overseas Fax: 260-563-0167

http://www.fordmeterbox.com

04/13/11

Submitted By:

Blank space for signature.