

Features

- Gently curved towel bars, inside and outside, provide integrated storage on the door.
- CleanCoat® technology creates a barrier between the water and glass to help keep your shower door looking new.
- Frameless, 5/16" (8 mm) thick Crystal Clear tempered glass door.
- Door tracking system features a hidden, cushioned, center guide for smooth, quiet sliding action.
- Innovative roller design simplifies installation and provides out-of-plumb adjustability.
- Reversible top track and towel bar.
- Frameless design emphasizes glass and creates a sleek, minimalist look.
- Smooth, easy-to-clean wall jambs.

Material

- Anodized aluminum hardware prevents rusting or corrosion.

Installation

- Out-of-plumb adjustability allows for simpler installation.
-
- Can be installed to open to the left or right.

Components

Additional included component/s: Hardware Kit.



Codes/Standards

ANSI Z97.1 (Tempered Glass)
CPSC 16CFR 1201

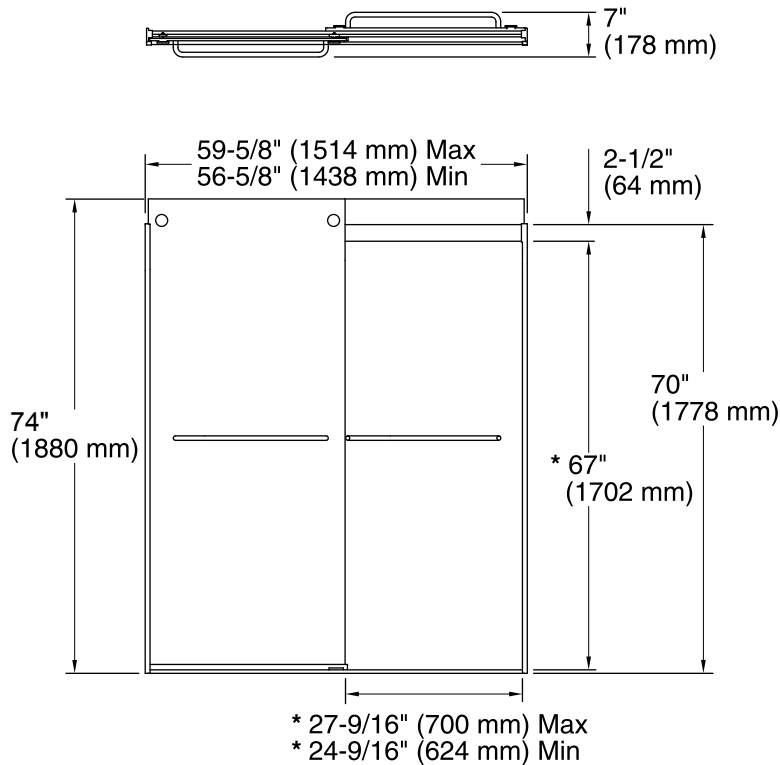
KOHLER® One-Year Limited Warranty

See website for detailed warranty information.

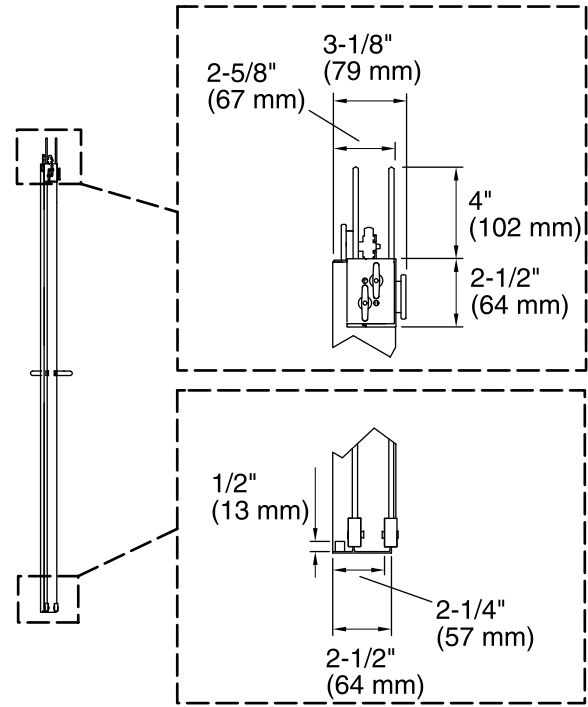
Available Color/Finishes

Color tiles intended for reference only.

Color	Code	Description
	SHP	Bright Polished Silver
	NX	Brushed Nickel



*** Walk-Through**



Notes

Install this product according to the installation guide.

Technical Information

All product dimensions are nominal.

Installation type: For receptor installation

Opening style: Sliding/Bypass

Opening Width - Min: 56-5/8" (1438 mm)

Opening Width - Max: 59-5/8" (1514 mm)

Walk-through - Min: 24-9/16" (624 mm)

Walk-through - Max: 27-9/16" (700 mm)

Glass thickness: 5/16" (8 mm)