

### Features

- Brass construction.
- Brass valve bodies.
- Quarter-turn washerless ceramic disc valves.
- 3-7/8" (98 mm) spout reach.
- Lever handles are ADA compliant.
- For 8" (203 mm) or 16" (406 mm) centers.
- Stationary spout.
- Pop-up drain with lift rod and tailpiece.
- 1.5 gal/min (5.7 l/min) maximum flow rate [max at 60 psi (4.14 bar)].



ADA

### Codes/Standards

ASME A112.18.1/CSA B125.1

NSF 61

NSF 372

DOE - Energy Policy Act 1992

EPA WaterSense®

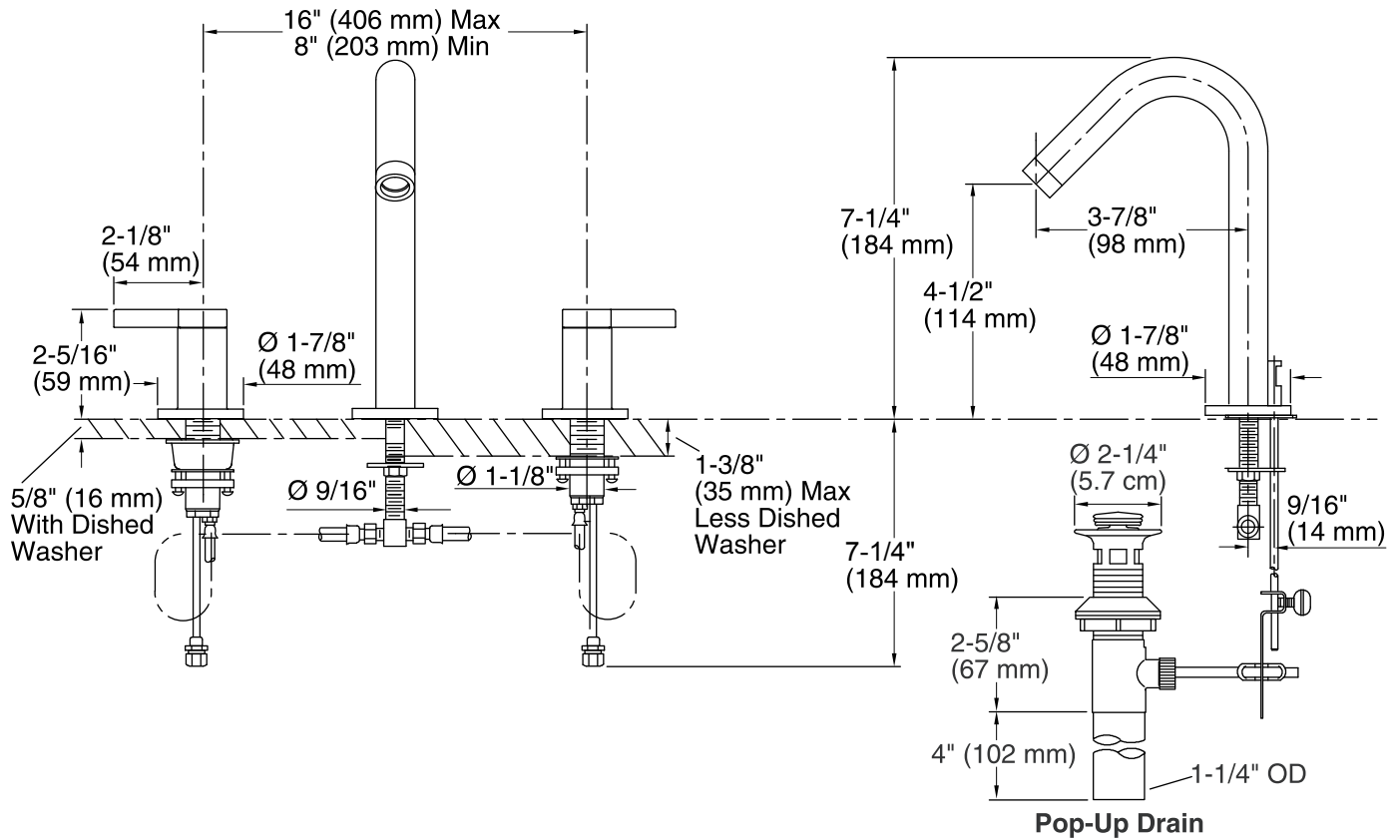
ADA

ICC/ANSI A117.1

All applicable US Federal and State material regulations

### KOHLER® Faucet Lifetime Limited Warranty

See website for detailed warranty information.



#### Technical Information

All product dimensions are nominal.

Spout reach: 3-7/8" (98 mm)

Drain included: YES

Drain tailpiece included: YES

#### Faucet:

Flow rate: 1.5 gal/min (5.7 l/min)

Pressure: 60 psi (4.1 bar)

#### Notes

Install this product according to the installation guide.

For counter-tops 5/8" (16 mm) thick or less, install using the dished washer (included).

ADA compliant when installed to the specific requirements of these regulations.