

SPECIFICATION SUBMITTAL SHEET

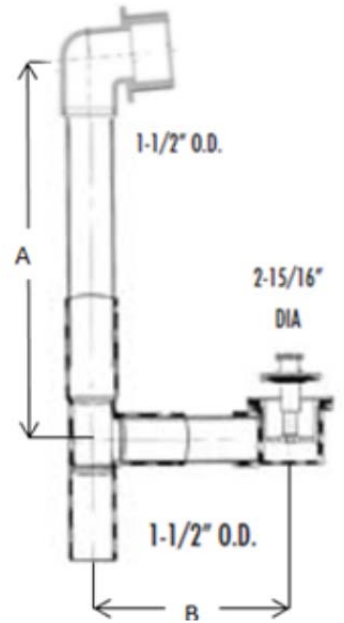


Tubular Brass W&O "CLASSIC" High-flow w/Test Kit

Job Name: _____ **Contractor:** _____
Job Location: _____ **Approval:** _____
Engineer: _____ **Contractor's PO#:** _____
Approval: _____ **Representative:** _____

Brass Waste & Overflow

- 17GA or 20GA Tubular Brass
- Classic High-flow Overflow Plate
- Test Kit Included
- Brass Strainer and Push eN Lift Stopper
- Brass Slip Nuts
- Brass Ferrules Available Upon Request



Select Part# Below for Style/Size/Finish of Product Specified:

√	Qty	AB&A Part #	Item #	Material	Finish	Dim. A (inches)		Dim. B (inches)	
						Min.	Max.	Min.	Max.
		ABA14506HF	61002	20Ga Brass	Chrome Plated	12-9/16"	15-3/16"	6-1/16"	7-1/2"
		ABA14508HF	61184	20Ga Brass	Chrome Plated	20-9/16"	23-3/16"	11-1/16"	12-1/2"
		ABA1450617GAHF	61003	17Ga Brass	Chrome Plated	12-9/16"	15-3/16"	6-1/16"	7-1/2"
		ABA1450817GAHF	61004	17Ga Brass	Chrome Plated	20-9/16"	23-3/16"	11-1/16"	12-1/2"

