

## LOW LEAD COMPLIANT 2 PC FULL PORT WATER SERVICE VALVE w/PRESS ENDS

The FNW figure X430 press valve for water service is suggested for all applications where labor and time savings is a must. The valve allows quick installation on copper pipelines meeting ASTM B88 standards. The structure of the valve, made in dezincification resistant brass, guarantees excellent corrosion resistance particularly in the connection areas of the pipeline. Drip Fit o-rings ensure that an end connection will drip, indicating an end was not pressed.

### Features:

- 200 PSI Max. Working Pressure
- 250°F Max. Temperature at Max. Pressure
- Full Port
- Press Ends
- Conforms to MSS SP-110 \*
- ANSI/NSF 61 Annex G Certified (UL) (Annex G references NSF 372))
- True 2-Piece Design
- Drip Fit O-rings
- No Soldered-In End Pieces
- Blow-out Proof Stem
- Adjustable Packing
- Secondary O-Ring Stem Seal
- Forged Brass Body & End Cap
- 100% DZR Brass offering greater protection against corrosion and cracking
- 100% Electronically Tested in Open and Closed Position at 80 PSI
- Uses The Same Handle Accessories As The Figure 420 Ball Valve
- Sizes 1/2" to 2"

\* The current specification SP-110 does not address the new technology of press end connections. Other than this exception, the valve meets the design criteria of the specification



Low Lead Compliant: Referring to laws defining "Lead Free" as wetted surface of pipe, fittings and fixtures in potable water systems that have a weighted average lead content  $\leq 0.25\%$  per the Safe Drinking Water Act (Sec. 1417) amended 1-4-2011 as well as other state regulations.

### OPTIONS



Lock Lever

Stem Extension

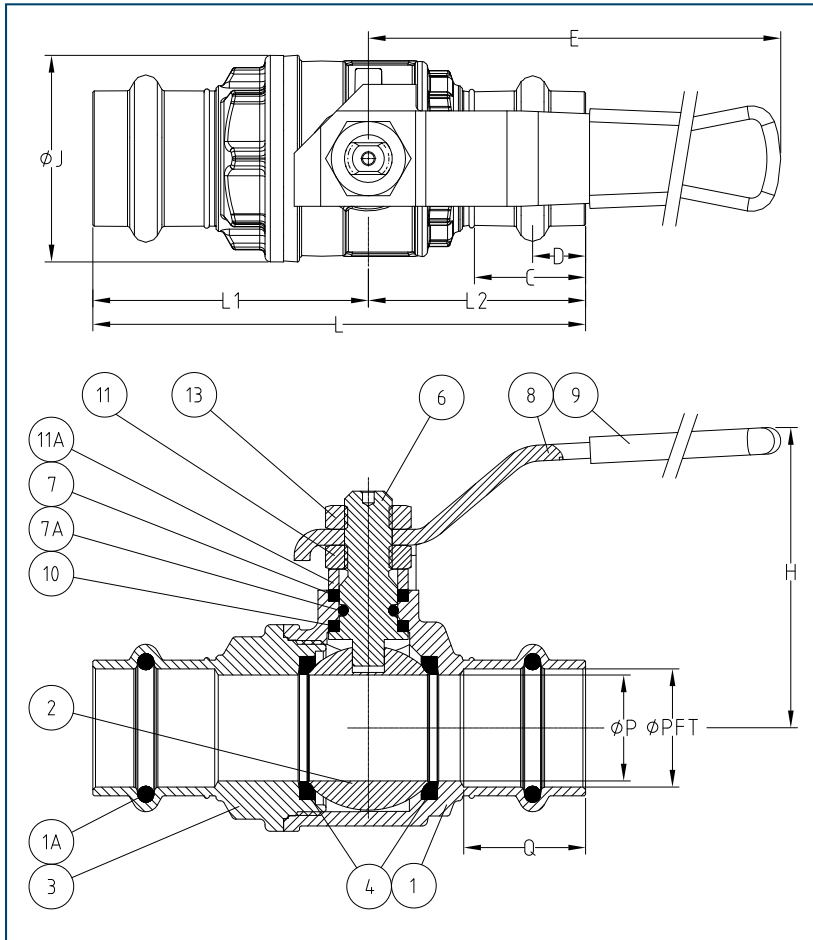
Tee or Oval Handle

Memory Stop

### Figure Number Matrix

FNW X430 Size	Kit Codes (Order Separately)		
<u>SIZE CODE</u>	<u>LOCKING LEVER*</u>	<u>EXTENSIONS</u>	<u>MEMORY STOPS</u>
1/2 = D	1/2 = FNW420LHKBD	1/2 = FNW420SEBD	1/2 = FNW420MSKBD
3/4 = F	3/4 - 1 = FNW420LHKFG	3/4 - 1 = FNW420SEFG	3/4 - 1 = FNW420MSKFG
1 = G	1-1/4 - 1-1/2 = FNW420LHKHJ	1-1/4 - 1-1/2 = FNW420SEHJ	1-1/4 - 1-1/2 = FNW420MSKHJ
1-1/4 = H	2 = FNW420LHKK	2 = FNW420SEK	2 = FNW420MSKK
1-1/2 = J	* Note: Locking lever kits are of the standard figure 420 yellow sleeve type.	<u>OVAL HANDLES</u>	<u>TEE HANDLES</u>
2 = K		1/2 = FNW420OHKBCD	1/2 = FNW420THKBD
		3/4 - 1 = FNW420OHKFG	3/4 - 1 = FNW420THKFG
		1-1/4 - 1-1/2 = FNW420OHKHJ	
		2 = FNW420OHKK	

### LOW LEAD COMPLIANT 2 PC FULL PORT WATER SERVICE VALVE w/PRESS ENDS



#### Standard Materials

Ref. No.	Description	Material	Qty
1	Body	Brass CW 511L	1
1A	O-Ring	EPDM (EP851)	
2	Ball	Brass CW 510L (Chrome-Plated)	1
3	End Cap	Brass CW 511L	1
4	Seat	PTFE	2
6	Stem	Brass CW 510L	1
7	Stem Packing	PTFE	1 Set
7A	Stem O-Ring	NBR 75 Shore A	1
8	Handle	Steel DD11	1
9	Sleeve	Vinyl	1
10	Thrust Washer	PTFE	1
11	Gland Nut	Steel CL 04 ZP	1
11A	Packing Gland	Brass CW 614N UNI 12164	1
13	Handle Nut	Steel CL 04 ZP	1

#### Drip Fit O-rings



The Drip Fit o-rings ensure that an unpressed end will drip. This is an added safety feature to ensure unpressed ends are discovered and corrected.

#### Dimensions (Inches), Cv, & Weights

Size	E	H	ØJ	ØP	ØPFT	C	D	Q	L	L1	L2	Cv	Wt. (Lbs)
1/2	3.86	1.89	1.30	0.59	0.63	0.67	0.31	0.71	3.13	1.71	1.42	18	0.49
3/4	4.80	2.28	1.54	0.79	0.88	0.83	0.39	0.91	3.66	2.05	1.61	34	0.86
1	4.80	2.44	1.93	0.98	1.13	0.83	0.39	0.94	4.13	2.32	1.81	49	1.23
1-1/4	6.02	3.07	2.32	1.26	1.38	0.83	0.39	1.02	4.41	2.44	1.97	102	2.34
1-1/2	6.02	3.35	2.87	1.57	1.63	1.02	0.49	1.42	5.63	2.91	2.72	265	3.48
2	6.38	3.80	3.39	1.95	2.13	1.18	0.57	1.57	6.48	3.39	3.09	306	4.61

DOC: FNWX430V10 Ver. rev-5/2016

© 2016 - FNW. All rights reserved.

The FNW logo is a registered trademark of Ferguson Enterprises, Inc., PL Sourcing, PO Box 2778, Newport News, VA 23609

The contents of this publication are presented for information purposes only, and while effort has been made to ensure their accuracy, they are not to be construed as warranties or guarantees, expressed or implied, regarding the products or services described herein or their use or applicability. All sales are governed by our terms and conditions, which are available on request. We reserve the right to modify or improve the designs or specifications of our products at any time without notice. Always verify that you have the most recent product specifications or other documentation prior to the installation of these products.