



## KITCHEN SINKS

### SINGLE BOWL DUAL MOUNT SINK

**Dimensions:**

33" x 22" overall size  
30-1/4" x 16-5/8" bowl size  
9" bowl depth  
3-1/2" drain diameter

**Product Code:**

MIRDM1BZ1 - 1 hole (brushed finish)  
MIRDM1BZ4 - 4 hole (brushed finish)

- Type 304 stainless steel
- 16 gauge
- Sound absorption pads and coating to minimize vibration and sound and increase durability
- Top mount or undermount installation
- Available in 1-hole or 4-hole configuration
- Mounting hardware and template included
- Installation, operating, care and maintenance instructions included
- Minimum Cabinet Size: 36"
- Limited lifetime warranty
- Meets ASME/ANSI A 112.19.3M
- cUPC/IAPMO listed
- Recommended accessories
  - MB162SS Disposal flange with stopper, SS
  - MB162BN Disposal flange with stopper, BN
  - MB162CP Disposal flange with stopper, CP
  - MB171SS Basket strainer, SS
  - MB171BN Basket strainer, BN
  - MB171CP Basket strainer, CP
  - MIRG3017 Bottom grid, CP



# Mirabelle®

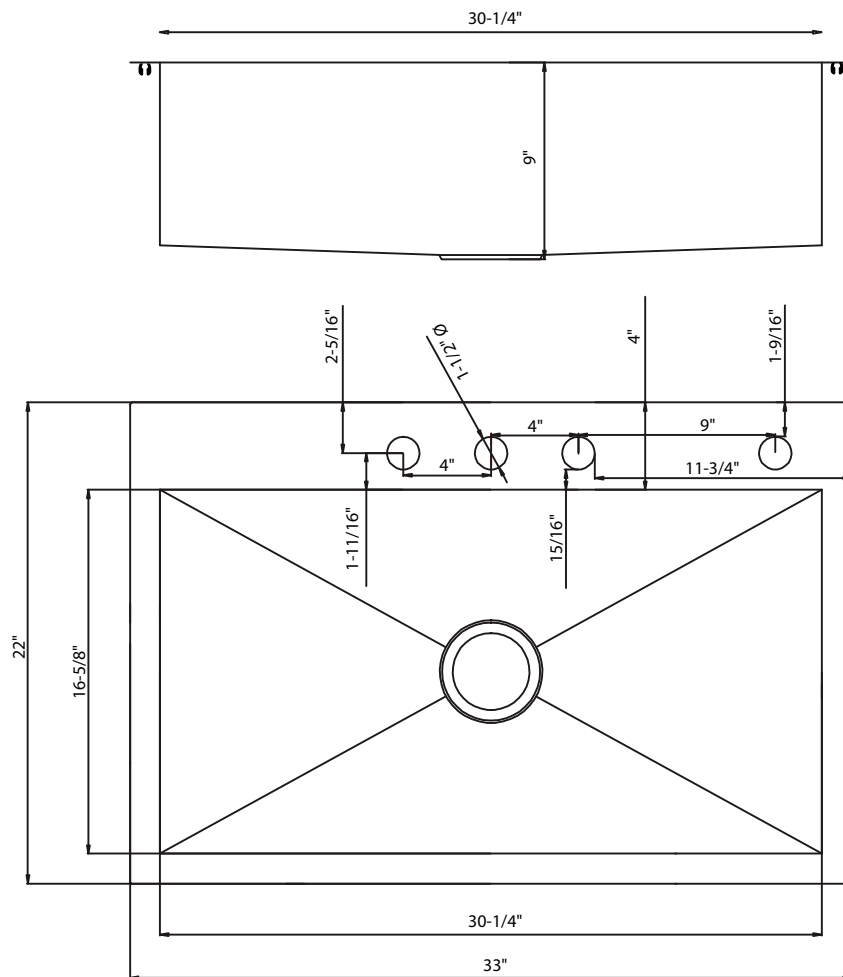
## KITCHEN SINKS

### SINGLE BOWL DUAL MOUNT SINK

Product Codes:

MIRDM1BZ1 - 1 hole (brushed finish)

MIRDM1BZ4 - 4 hole (brushed finish)



Note: All dimensions and specifications are nominal and may vary  $\pm 1/4\text{'}$ . Use actual products for accuracy in critical situations.