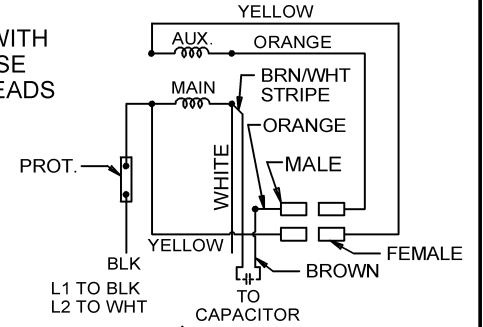


ROTATION IS C.CW VIEWING LEAD END WITH
 ORG. TO ORG. & YEL. TO YEL. TO REVERSE
 ROTATION INTERCHANGE ORG. & YEL. LEADS



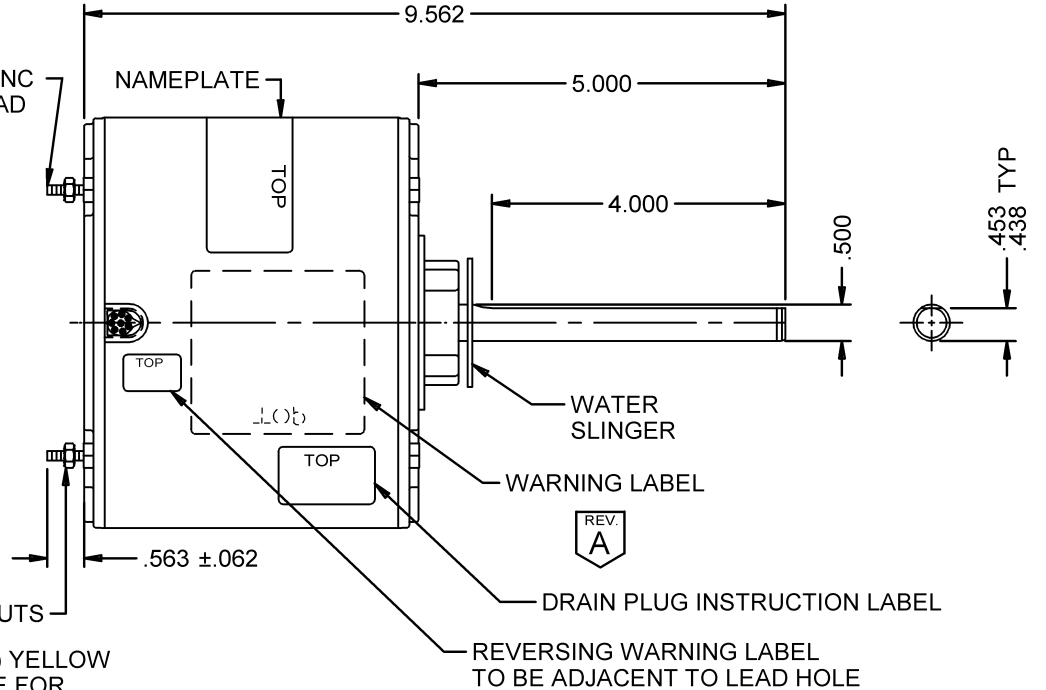
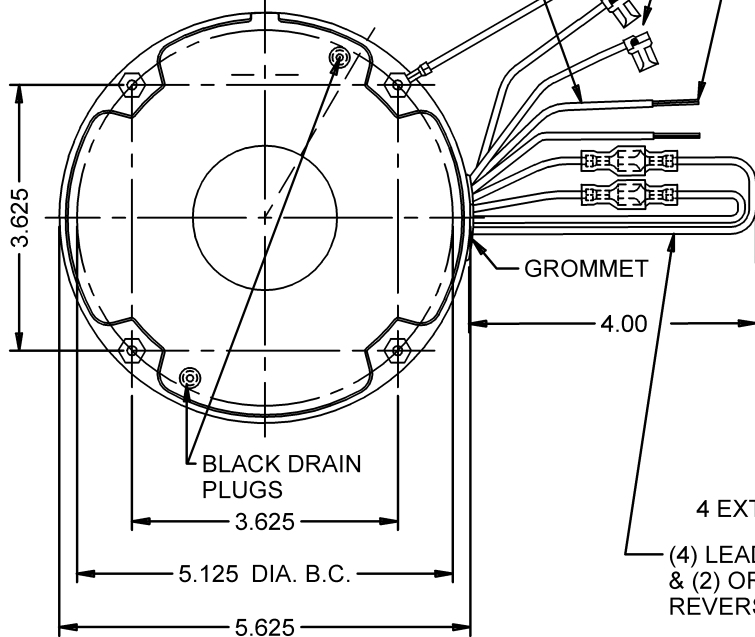
(2) .250 FLAG TYPE Q.C. TERMS.
 WITH INSUL.GRIP ON BROWN
 LEADS

#16 GREEN GROUND LEAD
 TO BE 12.00 BETWEEN
 CENTERS OF TERMS.
 TERM. TO FIT #10 SCREW

LEADS SKINNED .75

4 LEADS TO EXTEND
 30" BEYOND MOTOR

8-32 UNC
 THREAD



(4) LEADS, (2) YELLOW
 & (2) ORANGE FOR
 REVERSING ROTATION.

USE WITH 5.0 MFD
 370-VAC CAPACITOR

TOTALLY ENCLOSED

NIDEC MOTOR CORPORATION 07-Mar-11

MODEL	REF	CUSTOMER	HP	VOLTS	AMPS	HZ	RPM	ROTATION	CUSTOMER PN
K55HXWMS-1280	A29824	WHOLESALE - HAC	1/4	208-230	1.5	60	1075	CCW LEAD END REV	1860

SHEET NUMBER	REV	REVISION RECORD FOR:	NOTE OF DRAIN PLUG DELETED.
1 OF 1	A	C3006-00	
REVISION DATE			
07-MAR-11			
ISSUED BY	REVIEWED BY	ENGINEER APPROVED	
J. CORONADO	B. GAITAN	B. GAITAN	

INFORMATION DISCLOSED ON THIS DOCUMENT IS CONSIDERED PROPRIETARY AND SHALL NOT BE REPRODUCED OR DISCLOSED WITHOUT WRITTEN CONSENT OF NIDEC MOTOR CORPORATION
ALL DIMENSIONS ARE FOR REFERENCE ONLY UNLESS TOLERANCE IS GIVEN
TITLE
ASSEMBLED VIEW

NIDEC MOTOR CORPORATION		
CODE	ITEM NO.	SIZE
V01	779328	A