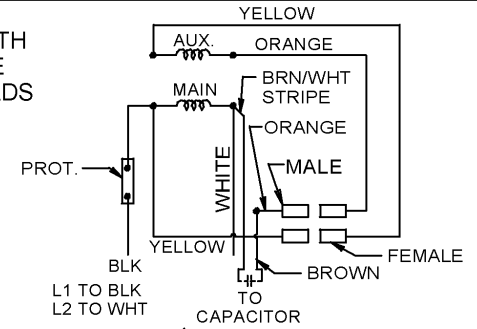


ROTATION IS C.CW VIEWING LEAD END WITH
ORG. TO ORG. & YEL. TO YEL. TO REVERSE
ROTATION INTERCHANGE ORG. & YEL. LEADS



(2) .250 FLAG TYPE Q.C. TERMS.
WITH INSUL.GRIP ON BROWN
LEADS

#16 GREEN GROUND LEAD
TO BE 12.00 BETWEEN
CENTERS OF TERMS.
TERM. TO FIT #10 SCREW

4 LEADS TO EXTEND
30" BEYOND MOTOR

LEADS SKINNED .75

8-32 UNC
THREAD

10.312

NAMEPLATE

5.000

3.625

4.000

BLACK DRAIN
PLUGS

GROMMET

4.00

2 FLATS
90° APART

.500

WATER
SLINGER

.469

.453

WARNING LABEL

REV.
A

DRAIN PLUG INSTRUCTION LABEL

(4) LEADS, (2) YELLOW
& (2) ORANGE FOR
REVERSING ROTATION.

REVERSING WARNING LABEL
TO BE ADJACENT TO LEAD HOLE

.563 ± .062

4 EXTRA NUTS

USE WITH 10.0 MFD
370-VAC CAPACITOR

TOTALLY ENCLOSED

NIDEC MOTOR CORPORATION 06-Jun-11

MODEL	REF	CUSTOMER	HP	VOLTS	AMPS	HZ	RPM	ROTATION	CUSTOMER PN
K55HXWMW-1282	A30015	WHOLESALE - HAC	1/2	208-230	3.1	60	1075	CCW LEAD END REV	1862

SHEET NUMBER	REV	REVISION RECORD FOR:	ITEM NO.
1 OF 1	A	C3391-00	
REVISION DATE		DELETED NOTE.	
04-JUN-11			

INFORMATION DISCLOSED ON THIS DOCUMENT
IS CONSIDERED PROPRIETARY AND SHALL NOT BE
REPRODUCED OR DISCLOSED WITHOUT WRITTEN
CONSENT OF NIDEC MOTOR CORPORATION

**NIDEC MOTOR
CORPORATION**

ALL DIMENSIONS ARE FOR REFERENCE ONLY UNLESS TOLERANCE IS GIVEN

ISSUED BY	REVIEWED BY	ENGINEER APPROVED	TITLE	CODE	ITEM NO.	SIZE
E. VICENCIO	B. GAITAN	B. GAITAN	ASSEMBLED VIEW	V01	779687	A