



## Installation, Operation & Maintenance Instructions for the PRIER C-634 Heavy Commercial Wall Hydrant

**\*Please leave this sheet for the property owner\***

Thank you for purchasing the PRIER C-634 Heavy Commercial Wall Hydrant, the finest quality commercial hydrant available. Your C-634 will provide you years of dependable service with little or no maintenance.

Please note: Your C-634 hydrant has drain holes under the packing nut. After shutoff, the drain holes will allow water to drain for a few moments to prevent freezing. This is normal and according to design.

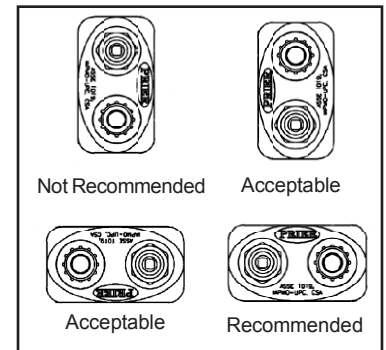
### **Installation:**

Installation procedures may vary slightly depending on the seat option purchased and the installation inlet options. The C-634 wall hydrant is available with the following inlet options:

**N** 1" MIP x 3/4" FIP  
**P** 1" Male SWT x 3/4" Female SWT  
**V** 3/4" ProPress Ready

*\*P and V inlets only available with CC length*

1. Determine the location for the installation of the hydrant. Ensure there is adequate work room in the interior of the structure for securing the hydrant to the plumbing piping. Bore a 1 1/8" diameter hole through the wall in the desired position for the installation and a 1/4" hole that is 1/2" deep.
2. The PRIER C-634 is designed for installation in either the horizontal or vertical position. If using vertical installation, it is recommended that the hydrant be installed with the hose threads in the "up" position. Refer to the drawings below.
3. If you are planning to solder the connection, be certain the hydrant is in the fully open position to prevent seat damage from the heat.
4. Connect the water supply piping to the hydrant as desired. With a closed-end hose on the valve creating back pressure, test the installation for leakage.
5. After the water supply connection is made, secure the hydrant to the structure.



### **Operation:**

Operation of the C-634 Commercial Wall Hydrant is a simple process. Water flows through the hydrant after turning the loose key one full turn counter-clockwise to the "on" position. The hydrant will achieve maximum flow at 2 1/2 full turns. Turn off the hydrant by turning the loose key clockwise to the "off" position.

The hydrant will drain for a few moments. If the dripping persists after a few moments, tighten the key slightly until the dripping stops. Be careful not to overtighten the hydrant.

The C-634 incorporates an integral atmospheric anti-siphon vacuum breaker that, in the rare occurrence of a back siphonage, opens to the atmosphere preventing contamination of the water supply.

As well as an atmospheric vacuum breaker, the C-634 incorporates vacuum breaker check valve in the rare case that water is forced backwards into the valve.

**\*ALWAYS REMOVE HOSE DURING FREEZING TEMPERATURES\***

**\*INTENDED FOR IRRIGATION USE AND OUTDOOR WATERING\***

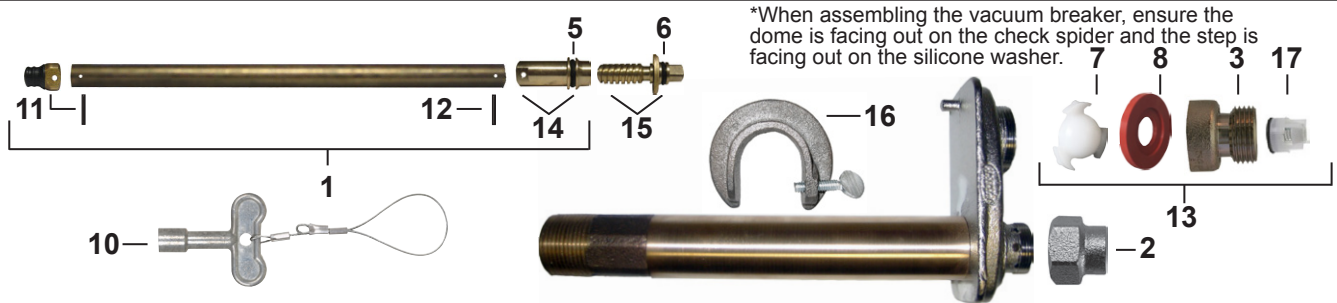
### **Maintenance:**

The C-634 Heavy Commercial Wall Hydrant leaves the factory fully air tested and operational. It is treated with an FDA approved lubrication. The hydrant requires no scheduled maintenance to provide long life. If the stem is removed, the bypass O-Ring needs to be replaced and lubricated with an FDA approved lubricant to avoid tearing.



4515 East 139th Street  
 Grandview, MO 64030  
 (800) 362-9055  
 Fax (800) 362-1463  
 www.PRIER.com

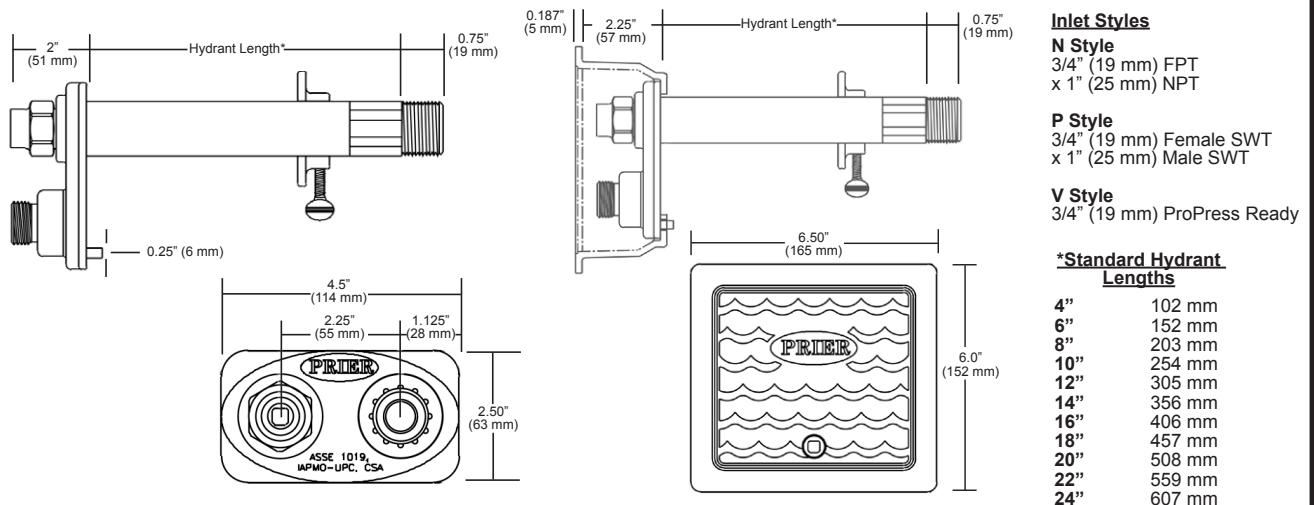
Replacement Parts & Stems



ID	Part No.	Description	ID	Part No.	Description
1	See Below	Stem Assembly, Contains: 5, 14		310-6009	1" Hose Piece for C-636 (NP Brass)
	P-231-0604	Stem for 4" C-634 Hydrant, 4 11/16" OAL	5	336-0001	O-Ring Worm Sleeve
	P-231-0606	Stem for 6" C-634 Hydrant, 6 11/16" OAL	6	336-6001	O-Ring Worm Drive
	P-231-0608	Stem for 8" C-634 Hydrant, 8 11/16" OAL	7	337-6001	Check Spider-Vacuum Breaker
	P-231-0610	Stem for 10" C-634 Hydrant, 10 11/16" OAL	8	346-6001	Diaphragm-Vacuum Breaker
	P-231-0612	Stem for 12" C-634 Hydrant, 12 11/16" OAL	10	C-108KT-808	Loose Key on Lanyard
	P-231-0614	Stem for 14" C-634 Hydrant, 14 11/16" OAL	11	C-634KT-802	Stopper Kit, Includes Stopper and Pin
	P-231-0616	Stem for 16" C-634 Hydrant, 16 11/16" OAL	12	324-0004	Pin Only
	P-231-0618	Stem for 18" C-634 Hydrant, 18 11/16" OAL	13	C-634KT-806	Vacuum Breaker Assembly
	P-231-0620	Stem for 20" C-634 Hydrant, 20 11/16" OAL	14	C-634KT-808	Worm Sleeve with O-Ring, Pin and Tool
	P-231-0622	Stem for 22" C-634 Hydrant, 22 11/16" OAL	15	C-634KT-809	Worm Drive Assembly with O-Ring
	P-231-0624	Stem for 24" C-634 Hydrant, 24 11/16" OAL	16	C-634WCR	Wall Clamping Ring
2	300-6003	Valve Stem Cap (NP Brass)	17	399-0001	Secondary Check for ASSE 1052
3	300-6004	3/4" Hose Piece (NP Brass)		C-634KT-807	C-634 Overhaul Kit, Contains: 10, 11, 12, 13, 14

\*\*For the **old style C-634 Series** wall hydrant stems, see C-634 Series retired style spec sheet at [www.PRIER.com](http://www.PRIER.com).

Rough-In Dimensions Specs



Furnish and install Model C-634 Heavy Commercial Wall Hydrant manufactured by PRIER Products, Inc. Hydrant shall be surface mount and installed through 1 3/8" round opening. Hydrant shall have automatic draining capabilities with integral vacuum breaker/backflow preventor. Hydrant shall flow 19 gallons per minute minimum at 25 PSI Differential and be at full flow in 2 handle rotations. Hydrant shaft shall be brass with threaded and sealed connections. Hydrant shall have 3/4" or 1" (choose one) hose connection with freezeless water flow and self-draining functions, one piece valve plunger, satin nickel finish, brass operating rod with positive triple seal shutoff mechanism. Hydrant shall be approved under ASSE 1052 standard. Operating key & wall clamping ring to be furnished with each hydrant. Hydrant insertion length to be ± inches.

Optional: Furnish and install flush-mount hydrant box for each valve. Hydrant box shall be manufactured of solid cast brass with a brass or satin nickel plated brass (choose one) finish. Box may be installed separately and hydrant be insertable and removable from front of the box. Access to the hydrant box shall be provided by the same operating key as the valve. \*4" to 24" in 2" increments.