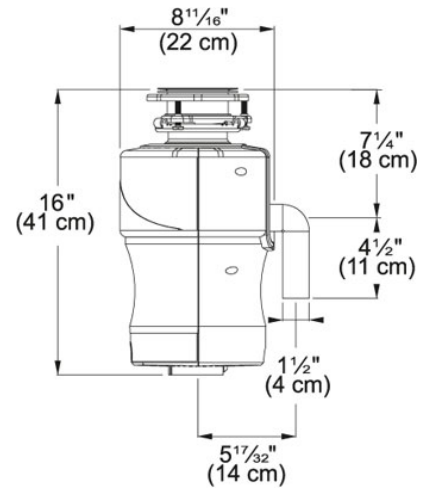


## Waste disposers FWD100R | 134.0297.202

FAMILY : **Waste Management** | SERIE : **Waste disposers** | MODEL : **FWD100R** | FINISH : **other** | INSTALLATION TYPE : **Waste Management**



### TECHNICAL DATA

RPM 2800

Horse 1 HP

Power

\* Continuous Feed models may require Air Switch WD3428 and Controller WD9088.  
Chrome stopper and flange standard on each disposer not available separately.  
WD8026SN and WD8027C not compatible with this model.

Where to buy Showroom

Where to buy Showroom