

Mirabelle®

BOCA RATON COLLECTION

TWO-PIECE HIGH EFFICIENCY TOILET

Product Codes:

MIRBR240AWH – elongated bowl (white)

MIRBR200AWH – tank (white)

MIRBR240ABS – elongated bowl (biscuit)

MIRBR200ABS – tank (biscuit)

- Vitreous china construction
- 1.28 gpf HET, High efficiency toilet
- EPA WaterSense certified
- Uses 20% less water than standard low-consumption toilets
- ADA-compliant 16" high bowl with slow close seat and cover
- 12" rough-in
- 2-1/4" fully glazed trapway with high performance 3" flush valve
- Includes polished chrome trip lever
- Supply not included
- 100% factory flush tested
- Installation, operating, care and maintenance instructions included
- 1 year limited warranty
- Meets ASME Standard: A112.19.2M
- Meets CSA B651
- cUPC /IAPMO listed
- Recommended accessories
 - MB425PN - Flush lever, PN
 - MB425BN - Flush lever, BN
 - MB425ORB - Flush lever, ORB



See dimensional drawing on back

© 2017 Ferguson Enterprises, Inc. 391238 02/17



Mirabelle®

BOCA RATON COLLECTION

TWO-PIECE HIGH EFFICIENCY TOILET

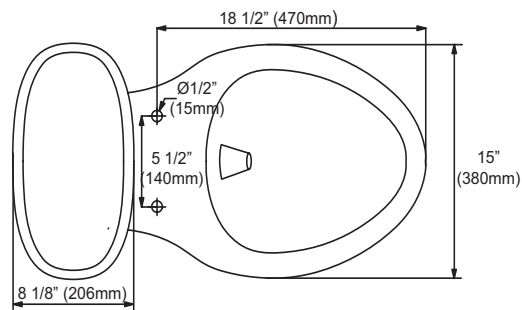
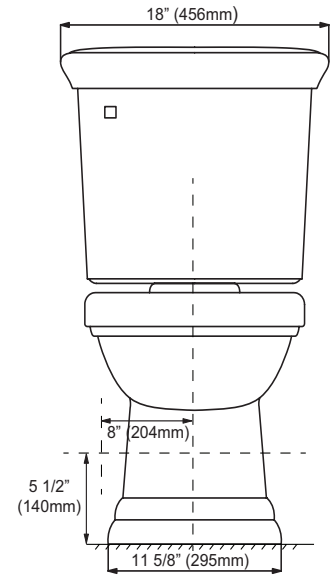
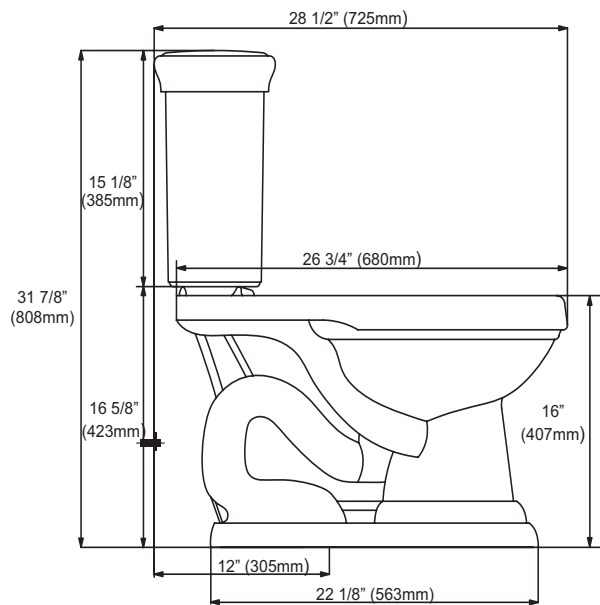
Product Codes:

MIRBR240AWH – elongated bowl (white)

MIRBR200AWH – tank (white)

MIRBR240ABS – elongated bowl (biscuit)

MIRBR200ABS – tank (biscuit)



Note: All dimensions and specifications are nominal and may vary: Dimensions of 8" and greater have a tolerances of +3%. Dimensions less than 8" have a tolerances of +5%.