

## LOW LEAD COMPLIANT 2 PC\* FULL PORT\*\* WATER SERVICE VALVE w/PRESS ENDS

The FNW figure X432 press valve for water service is an economical alternative to the more robust figure X430. The valve allows quick installation on copper pipelines meeting ASTM B88 standards. The structure of the valve, made in dezincification resistant brass, guarantees excellent corrosion resistance particularly in the connection areas of the pipeline. Drip Fit o-rings ensure that an end connection will drip, indicating an end was not pressed.

### Features:

- 200 PSI Max. Working Pressure (Non-Shock)
- 250°F Max. Temperature at Max. Pressure
- Full Port\*\*
- Press Ends
- Conforms to MSS SP-110 †
- ANSI/NSF 61 Annex G Certified (UL) (Annex G references NSF 372)
- Drip Fit O-rings (1/2" to 2")
- No Soldered-In End Pieces
- Blow-out Proof Stem
- Dual O-ring Non-adjustable Packing
- Forged Brass Body & End Cap
- 100% Electronically Tested in Open and Closed Position at 80 PSI
- Accessories (Sold Separately)
  - Lock Lever Kit (1/2"~4")
  - Stem Extension Kit (1/2"~4")
  - Tee Handle Kit (1/2"~1")
  - Oval Handle Kit (1/2"~2")
  - Memory Stop Kit (1/2"~2")
  - Stainless Handle (1/2"~2")
- Sizes 1/2" to 4" (2-1/2" to 4" are XLC end connections ‡)

\* 2-1/2" to 4" sizes use threaded in, o-ring sealed XLC press end adapters.

\*\* 4" Valve is Standard Port

† The current specification SP-110 does not address the new technology of press end connections. Other than this exception, the valve meets the design criteria of the specification

‡ XLC valves are for copper pipe or copper XLC fittings only and should not be used on brass fittings or adapters.

**NOT FOR USE AT OR BELOW  
GROUND LEVEL**



2-1/2" to 4" XLC Ends

### Accessories



Locking Handle Kits



Stem Extension Kits



Tee Handle Kits



Oval Handle Kits



Memory Stops



Stainless Steel Handle

### Figure Number Matrix

FNW X432	End	Size
	1/2" to 2" = Blank	1/2 = D
	2-1/2" to 4" = AXLC	3/4 = F
		1 = G
		1-1/4 = H
		1-1/2 = J
		2 = K
		2-1/2 = L
		3 = M
		4 = P

### Kit Codes (Order Separately)

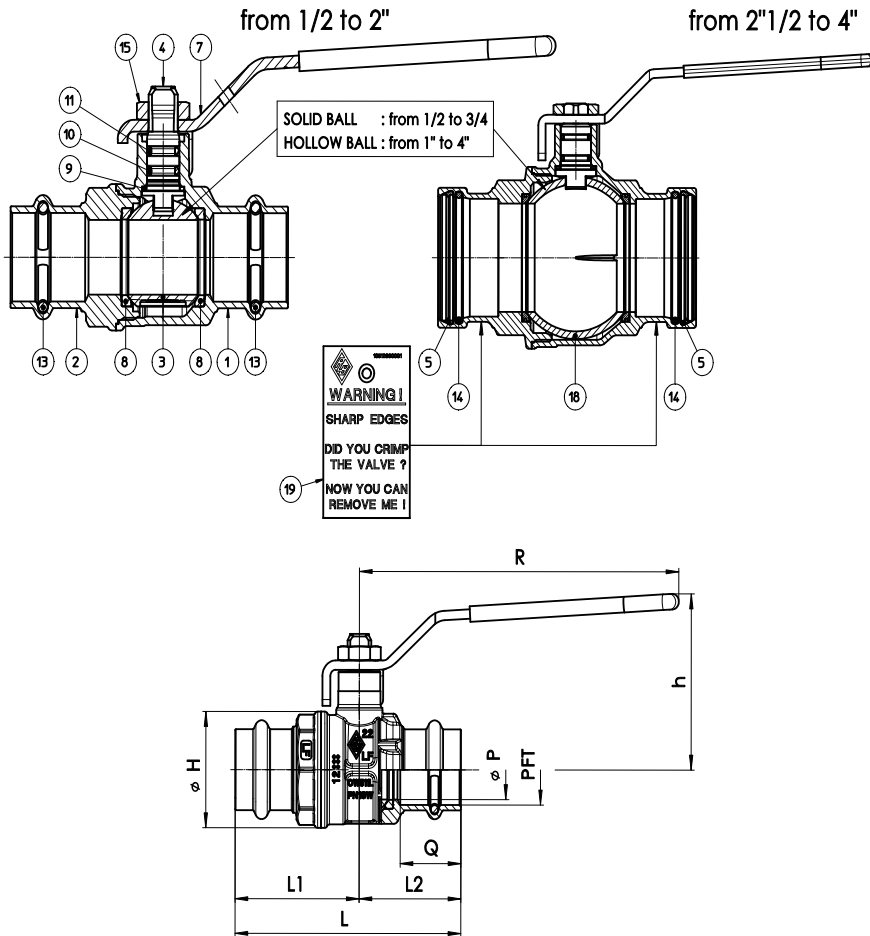
FNW 420	Kit	Size
	Locking Handle = LHK	1/2" = BD
	Stem Extension = SE	3/4"~1" = FG
	Tee Handle = THK	1-1/4"~1-1/2" = HJ
	Oval Handle = OHK	2" = K
	Memory Stop = MSK	2-1/2"~3" = LM
	Stainless Handle = SSHK	4" = P

Note: The figure X432A uses the same accessories as the 420.

Low Lead Compliant: Referring to laws defining "Lead Free" as wetted surface of pipe, fittings and fixtures in potable water systems that have a weighted average lead content ≤ 0.25% per the Safe Drinking Water Act (Sec. 1417) amended 1-4-2011 as well as other state regulations.



### LOW LEAD COMPLIANT 2 PC\* FULL PORT\*\* WATER SERVICE VALVE w/PRESS ENDS



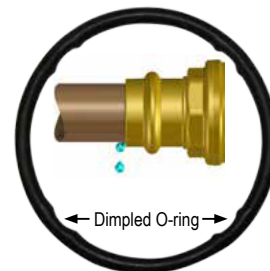
#### Standard Materials

Ref. No.	Description	Material	Qty
1	Body	Brass CW 511L	1
2	End Conn	Brass CW 510L	1
3	Ball	Brass CW 510L	1
4	Stem	Brass CW 511L	1
5	Compression Ring	Steel (Zinc Plated)	2
7	Handle	Steel (DD11)	1
8	Ball Seat	PTFE	2
9	Thrust Washer	PTFE	1
10	O-Ring	NBR	1
11	O-Ring	FKM	1
13	O-Ring	EDPM	2
14	O-Ring	EDPM	2
15	Nut	Steel (CL04)	1
18	Ball	Brass CW 511L	1
19	Tag	Paper	2

#### Dimensions (Inches), Cv, & Weights

Size	ØP	Q	ØH	L	L1	L2	h	R	PN	CWP	Wt. (Lbs)
1/2	0.55	0.71	1.22	2.93	1.62	1.31	1.77	3.78	200	600	0.36
3/4	0.75	0.91	1.46	3.37	1.85	1.52	2.22	4.76	200	600	0.71
1	0.94	0.94	1.76	3.81	2.11	1.70	2.32	4.76	200	600	1.01
1-1/4	1.19	1.02	2.11	4.17	2.24	1.93	2.85	5.94	200	600	1.57
1-1/2	1.50	1.42	2.64	5.23	2.78	2.45	3.09	5.94	200	600	2.48
2	1.95	1.57	3.39	6.27	3.29	2.98	3.70	6.30	200	600	4.36
2-1/2	2.44	1.65	4.09	7.05	3.76	3.29	4.57	8.07	200	300	7.16
3	2.99	1.91	4.96	8.27	4.45	3.82	4.98	8.07	200	300	10.76
4	2.99	2.42	5.28	8.94	4.53	4.41	4.98	8.07	200	200	14.68

#### Drip Fit O-rings



The Drip Fit o-rings ensure that an unpressed end will drip. This is an added safety feature to ensure unpressed ends are discovered and corrected.

DOC: FNWX43213 Ver. rev-11/2013

© 2013- FNW. All rights reserved.

The FNW logo is a registered trademark of Ferguson Enterprises, Inc., PL Sourcing, PO Box 2778, Newport News, VA 23609

The contents of this publication are presented for information purposes only, and while effort has been made to ensure their accuracy, they are not to be construed as warranties or guarantees, expressed or implied, regarding the products or services described herein or their use or applicability. All sales are governed by our terms and conditions, which are available on request. We reserve the right to modify or improve the designs or specifications of our products at any time without notice. Always verify that you have the most recent product specifications or other documentation prior to the installation of these products.