



PORTSMOUTH® 31 x 20 OFFSET DOUBLE BOWL STAINLESS STEEL KITCHEN SINK

18 GAUGE STAINLESS STEEL

PORTSMOUTH® 31 x 20 OFFSET DOUBLE BOWL STAINLESS STEEL KITCHEN SINK

☐ 18CR.9322100S.075

- Offset Double Bowl Stainless Steel kitchen sink
- 18 Gauge Stainless Steel
- 9" and 7-1/2" Bowl Depths
- Undermount installation
- 36" (914mm) cabinet required
- Includes:
 - (2) 9028000.075 Waste Fittings
 - 791676-100.0070A Undermount Sink Clips
- Side and Bottom Sound Deadening Pads with undercoating
- Cutout template and instructions included
- Limited Lifetime Warranty



Nominal Dimensions:

31-1/2" x 20-1/2" x 9"
(800 x 521 x 229mm)

Left Bowl Size:

15-1/2" (394mm) wide
18-1/2" (470mm) front to back
9" (229mm) deep

Right Bowl Size:

12-3/4" (324mm) wide
16-1/4" (413mm) front to back
7-1/2" (191mm) deep

SEE REVERSE FOR ROUGHING-IN DIMENSIONS
AND PRODUCT SPECIFICATIONS

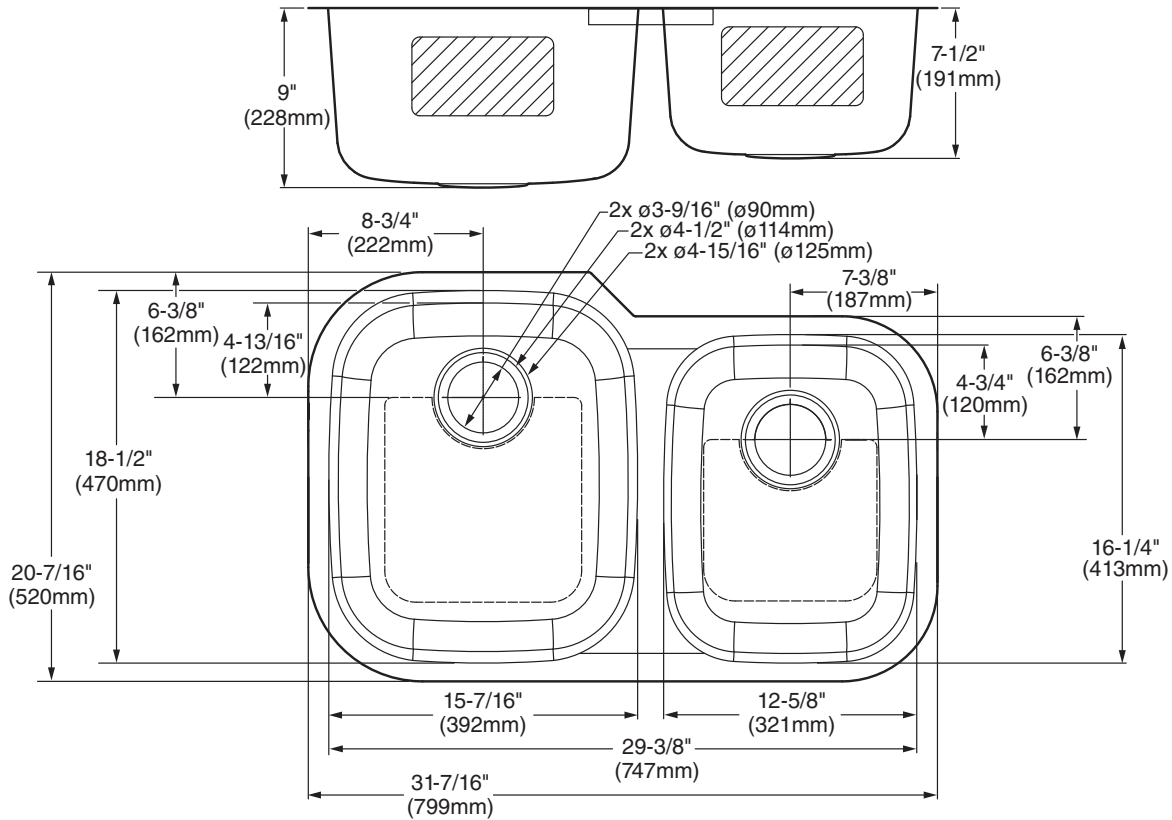
Compliance Certifications - Meets or Exceeds the Following Specifications:

- ASME A112.19.3

To Be Specified:

- ☐ Color: Stainless Steel .075
- ☐ Optional Bottom Grid: 8446.312000L.075
- ☐ Optional Bottom Grid: 8446.312000S.075

**PORTSMOUTH® 31 x 20 OFFSET DOUBLE BOWL
STAINLESS STEEL KITCHEN SINK**
18 GAUGE STAINLESS STEEL



NOTES:

* DIMENSIONS SHOWN FOR LOCATION OF SUPPLIED AND "P" TRAP ARE SUGGESTED.
FITTINGS NOT INCLUDED WITH FIXTURE AND MUST BE ORDERED SEPARATELY.
SEALING COMPOUND SUPPLIED BY OTHERS.

IMPORTANT: Dimensions of fixtures are nominal and may vary within the range of tolerances established by ANSI Standard A112.19.3. These measurements are subject to change or cancellation. No responsibility is assumed for use of superseded or voided pages.