

## Parts List - Ratchet Mechanism

Ref. No.	Description	RC30 Item Code	RC36 Item Code	RC42 Item Code	Quantity Used
1	Main Cutter Assembly	93281	93284	93286	1
2	Wrench Assembly	93162	93162	93162	1
3	Chain Assembly	93118	93118	93119	1
4	Chain Nut	93105	93105	93105	1
5	Complete Handle Assy.	93217	93217	93217	1
6	Triangular Saddle	93218	93218	93218	1
7	Latch	93159	93159	93159	1
8	Torque Arm	93160	93160	93160	1
9	Cutter Wheels	a, b, c, d	a, b, c, d	a, d	4
	a. for steel/stainless steel RCS8-36 03530				
	b. for cast iron/ductile iron RC18-30 03535				
	c. for heavy cast iron/ductile iron (PRC) RCDX 03545 鑄鉄管用				
	d. for heavy wall steel/stainless steel RCX 03550 鋼管用				
	Choose the cutter wheel for the proper pipe type to be cut.				

Note: RC36 cuts cast/ductile iron up to 30" nominal.

Page 1 of 2

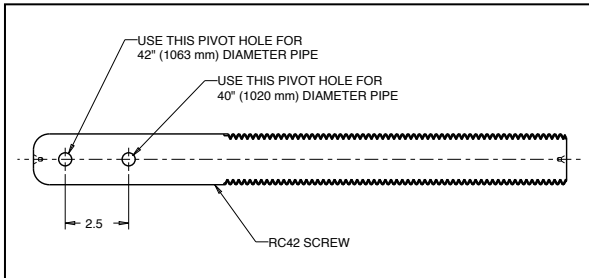
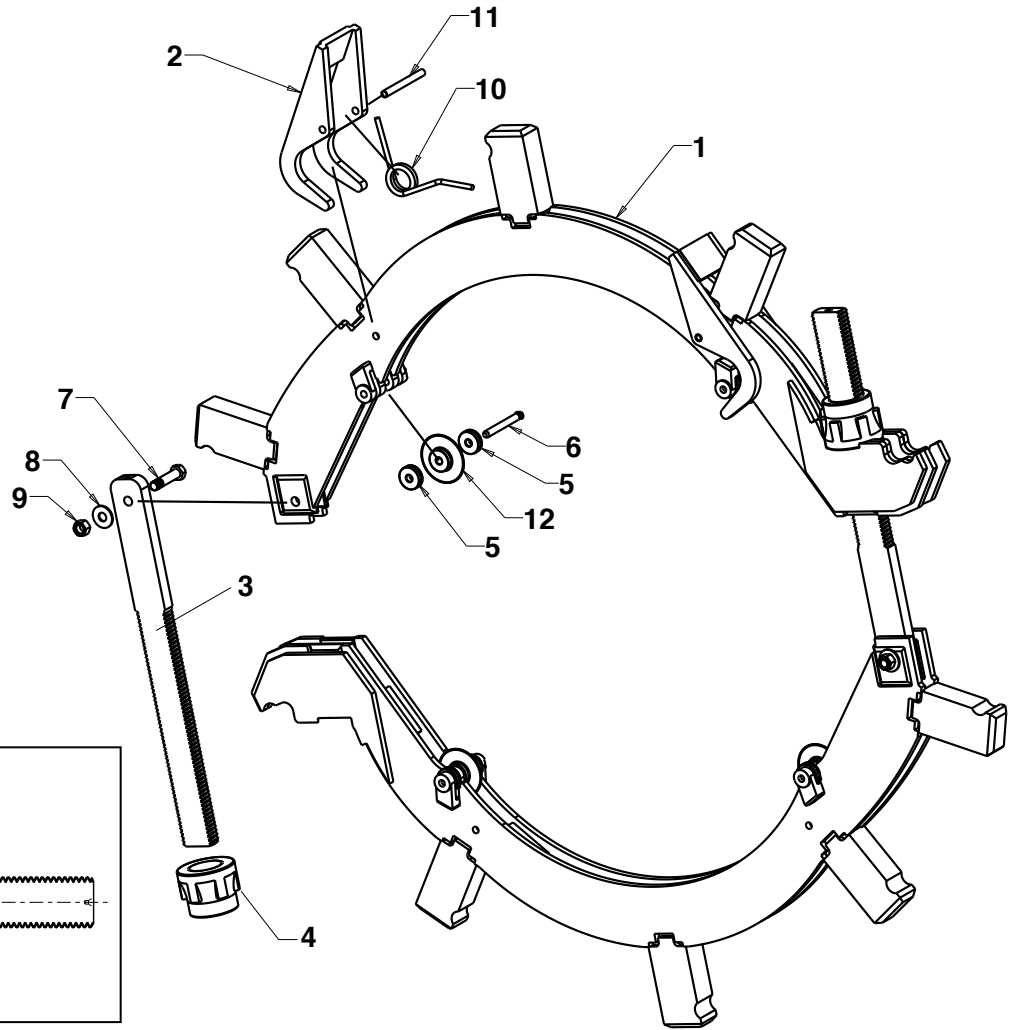
ENG/JPN



PIPE TOOLS & VISES  
SINCE 1896

# Rotary™ Cutters (RC30, RC36, RC42)

Replacement Parts



#93145 Main Screw for RC42

## Parts List - Cutter

Ref. No.	Description	RC30 Item Code	RC36 Item Code	RC42 Item Code	Quantity Used
1	Yoke	92675	92675	92676	2
2	Guide	93099	93099	93099	2
3	Main Screw	93100	93114	93145	2
4	Adjusting Nut	93104	93104	93104	2
5	Roller	93220	93220	93220	8
6	Wheel Pin	93200	93200	93200	4
7	Cap Screw	30035	30035	30035	2
8	Lock Washer	30036	30036	30036	2
9	Nut	30037	30037	30037	2
10	Guide Spring	40109	40109	40109	2
11	Guide Pin	30090	30090	30090	2
12	Cutter Wheel	a, b, c, d	a, b, c, d	a, d	4

a. for steel/stainless steel RCS8-36 03530

b. for cast iron/ductile iron RC18-30 03535

c. for heavy cast iron/ductile iron (PRC) RCDX 03545

d. for heavy wall steel/stainless steel RCX 03550

Choose the cutter wheel for the proper pipe type to be cut.