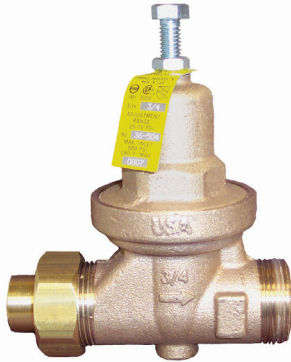


# "Apollo" Valves

## SUBMITTAL SHEET

### 36 Series

Model PR - Pressure Reducing Valve



<b>Job Name:</b>	
<b>Job Location:</b>	
<b>Engineer:</b>	
<b>Contractor:</b>	
<b>Tag:</b>	
<b>PO Number:</b>	
<b>Representative:</b>	
<b>Wholesale Distributor:</b>	



### DESCRIPTION

The Apollo® Model PR (36 Series) Pressure Reducing Valves are designed to protect residential and commercial water distribution systems by controlling excessive pressures. The valves are built for long reliable service with proven ASTM grade materials including a bronze body and stainless steel strainer.

### FEATURES

- Corrosion Resistant Sealed Body and Bonnet
- Pressure Gauge Connection Option
- 100% Factory Tested
- Integral SS Strainer
- Balanced Piston Design
- Internal Thermal Expansion By-pass
- Standard Pressure Setting: 50 psi
- High and Low Pressure Options
- Multiple Connections Types
- 100% Manufactured in USA

### PERFORMANCE RATING

- Maximum Supply Pressure up to 300 psig
- Temperature Range: 33 °F – 180 °F
- Maximum Set Pressure Standard: 75 psig High Pressure: 125 psig

### APPROVALS

- ASSE 1003
- CSA B356



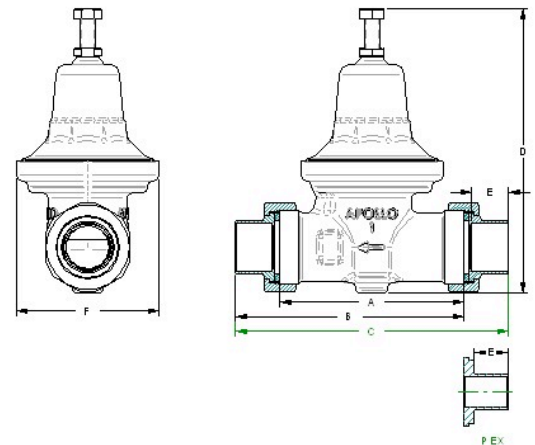
Not intended for potabile water

### STANDARD MATERIALS LIST

Part Name	Material
Body	Bronze, ASTM B584
Covers	Bronze, ASTM B584
Diaphragm	FDA Grade Buna W/ Polyester
Seat disc	FDA Grade EPDM
Stem	Brass, ASTM B-16
Spring	Stainless Steel
O-Rings	FDA approved Nitrile

### DIMENSIONS

Size (in.)	Connect Type	Dimensions (in.)						Wt. (Union) lbs. each
		A	B	C	D	E	F	
1/2"	THREAD	4	4-7/8	5-5/8	5-7/8	5/8	2-3/4	3.5
	SOLDER	4	4-7/8	5-5/8	5-7/8	1/2	2-3/4	3.4
	PEX	4	5	5-3/4	5-7/8	5/8	2-3/4	3.3
	CPVC	4	4-5/8	5-1/4	5-7/8	1/2	2-3/4	3.1
3/4"	THREAD	3-7/8	4-7/8	5-5/8	5-7/8	5/8	2-3/4	3.4
	SOLDER	3-7/8	4-7/8	5-5/8	5-7/8	3/4	2-3/4	3.3
	PEX	3-7/8	5	5-3/4	5-7/8	5/8	2-3/4	3.2
	CPVC	3-7/8	4-7/8	5-5/8	5-7/8	5/8	2-3/4	3
1"	THREAD	4-3/8	5-1/2	6-3/8	6-7/8	5/8	3-3/8	4.5
	SOLDER	4-3/8	5-1/2	6-3/8	6-7/8	5/8	3-3/8	4.4
	PEX	4-3/8	5-1/2	6-5/8	6-7/8	7/8	3-3/8	4.3
	CPVC	4-3/8	5-3/4	7	6-7/8	3/4	3-3/8	4
1-1/4"	THREAD	5-3/8	6-1/2	7-1/2	8-7/8	7/8	4	10.2
	SOLDER	5-3/8	6-5/8	7-3/4	8-7/8	1	4	10.1
1-1/2"	THREAD	5-3/8	6-5/8	7-7/8	8-7/8	3/4	4	10.4
	SOLDER	5-3/8	6-3/4	8	8-7/8	1-1/8	4	10.3
2"	THREAD	7-1/8	8-1/2	9-7/8	11-1/2	1	5-3/4	22.5
	SOLDER	7-1/8	8-7/8	10-1/2	11-1/2	1-3/8	5-3/4	22.4



– Continued on Next Page –

Nominal dimensions are shown. Allowances must be made for manufacturers' tolerances.

Apollo Valves, Manufactured by **Conbraco Industries, Inc.**  
 701 Matthews Mint-Hill Road, Matthews, NC 28105 USA  
[www.apollovalves.com](http://www.apollovalves.com) | (704) 841-6000

This specification is provided for reference only. Conbraco Industries Inc. reserves the right to change any portion of this specification without notice and without incurring obligation to make such changes to Conbraco products previously or subsequently sold. Please visit our website @ [www.apollovalves.com](http://www.apollovalves.com) for the most current information.



# "Apollo" Valves

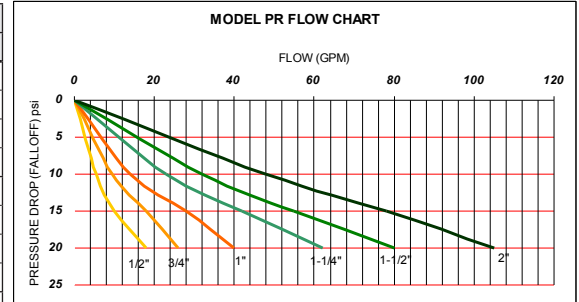
## SUBMITTAL SHEET

### 36 Series

Model PR - Pressure Reducing Valve

#### FLOW CAPACITY

Pipe Size	Fall-Off* (PSI)	Pressure Differential (PSI)			Pipe Size	Fall-Off* (PSI)	Pressure Differential (PSI)		
		25	50	75			25	50	75
1/2"	5	1.3	1.5	1.7	1-1/4"	5	8.5	10	11.5
	10	4.7	5.5	6.3		10	19.6	23	26.5
	15	10.6	12.5	14.4		15	35.7	42	48.3
	20	15.3	18	20.7		20	53	62	71
3/4"	5	2.1	2.5	2.9	1-1/2"	5	12	14	16
	10	6.8	8	9.2		10	27	32	37
	15	13.2	15.5	17.8		15	48	56	64
	20	18.3	21.5	24.7		20	68	80	92
1"	5	2.8	3.3	3.7	2"	5	15	18	21
	10	8.5	10	11.5		10	39	46	53
	15	15.3	18	20.7		15	66	78	90
	20	21.3	25	28.8		20	94	110	127



\* Fall Off is the difference between the PRV's set pressure and the flowing pressure at any given demand.

#### MODEL NUMBER

PR	X	X	X	X	X
UNION	GAUGE	PRESSURE RANGE	SIZE	END CONNECTION*	
blank = Single Union	blank = No Gauge Port	blank = 25 - 75 PSIG	12 = 1/2"	blank = FNPT x FNPT	
E = Extended Union	P = w/Gauge Port Plugged	L = 10 - 35 PSIG	34 = 3/4"	Single Union	
D = Double Union	G = w/Pressure Gauge	H = 75 - 125 PSIG	1 = 1"	S = Solder x FNPT	
T = No Union (Threaded Only)			114 = 1-1/4"	C = CPVC x FNPT	
			112 = 1-1/2"	S = Solder x Solder	
			2 = 2"	C = CPVC x CPVC	
				X = PEX x PEX	
				B = BSPT x BSPT	
				SC = Solder x CPVC	
				SX = Solder x PEX	
				CX = CPVC x PEX	

\* Also available with Press Connections. See 36-PR Series submittal.

#### PART NUMBER

36	X	XX	X	X	X
CONNECTION	SIZE	GAUGE	PRESSURE	OPTION	
1 = Single Union NPT	03 = 1/2"	0 = Without Gauge	1 = 25 - 75 PSIG range	Blank = No Option	
2 = No Union NPT	04 = 3/4"	P = w/Gauge Port Plugged	2 = 10 - 35 PSIG range	C = CPVC Tailpiece	
3 = Single Union Solder x NPT	05 = 1"	G = w/Gauge	3 = 75 - 125 PSIG range	S = Sealed Cage	
4 = Double Union NPT	06 = 1-1/4"	X = PEX			
5 = Double Union Solder	07 = 1-1/2"				
6 = Single Union Meter	08 = 2"				
8 = Double Union CPVC					
9 = Double Union PEX					

Apollo Valves, Manufactured by **Conbraco Industries, Inc.**  
 701 Matthews Mint-Hill Road, Matthews, NC 28105 USA  
[www.apollovalves.com](http://www.apollovalves.com) | (704) 841-6000

This specification is provided for reference only. Conbraco Industries Inc. reserves the right to change any portion of this specification without notice and without incurring obligation to make such changes to Conbraco products previously or subsequently sold. Please visit our website @ [www.apollovalves.com](http://www.apollovalves.com) for the most current information.

