

# Installation/Care/Use manual

## Non-Refrigerated Composite VR Fountain with Back Panel



### Installer

To assure you install this model easily and correctly, PLEASE READ THESE SIMPLE INSTRUCTIONS BEFORE STARTING THE INSTALLATION. CHECK YOUR INSTALLATION FOR COMPLIANCE WITH PLUMBING, ELECTRICAL AND OTHER APPLICABLE CODES. After installation, leave these instructions inside the fountain for future reference.

### **IMPORTANT**

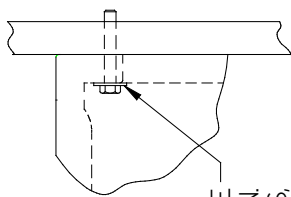
ALL SERVICE TO BE PERFORMED BY AN AUTHORIZED SERVICE PERSON

### **IMPORTANT! INSTALLER PLEASE NOTE.**

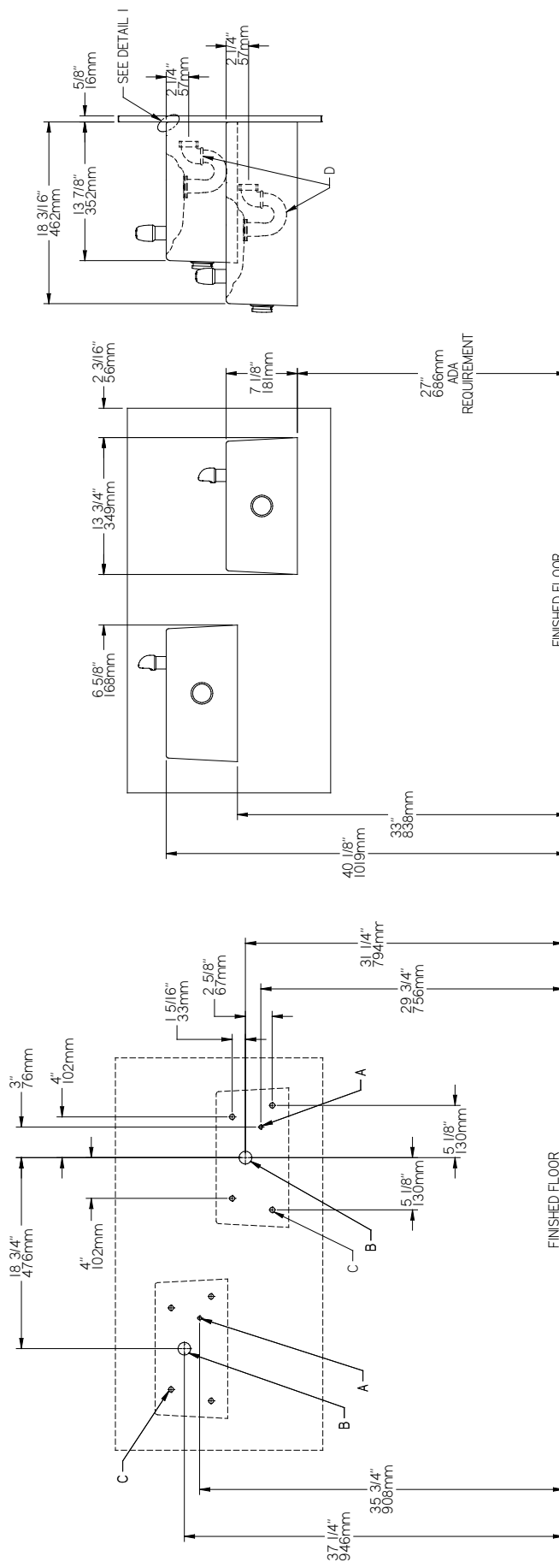
THE GROUNDING OF ELECTRICAL EQUIPMENT SUCH AS TELEPHONE, COMPUTERS, ETC. TO WATER LINES IS A COMMON PROCEDURE. THIS GROUNDING MAY BE IN THE BUILDING OR MAY OCCUR AWAY FROM THE BUILDING. THIS GROUNDING CAN CAUSE ELECTRICAL FEEDBACK INTO A FOUNTAIN, CREATING AN ELECTROLYSIS WHICH CAUSES A METALLIC TASTE OR AN INCREASE IN THE METAL CONTENT OF THE WATER. THIS CONDITION IS AVOIDABLE BY USING THE PROPER MATERIALS AS INDICATED. ANY DRAIN FITTINGS PROVIDED BY THE INSTALLER SHOULD BE MADE OF PLASTIC TO ELECTRICALLY ISOLATE THE FOUNTAIN FROM THE BUILDING PLUMBING SYSTEM.

**EDFPVR217C ROUGH-IN  
COMPOSITE BACK PANEL**

**DETAIL 1**



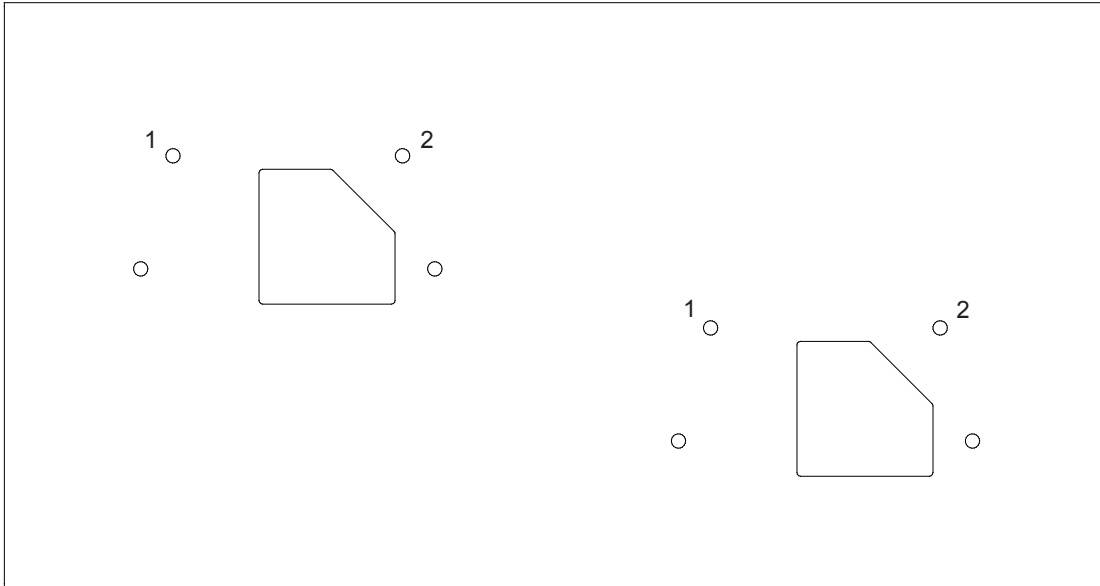
WASHER REQUIRED TO MINIMIZE  
BREAKAGE OF FOUNTAIN.  
(TYP. ALL 4 MOUNTING BOLTS,  
MOUNTING BOLTS & WASHERS  
NOT INCLUDED)



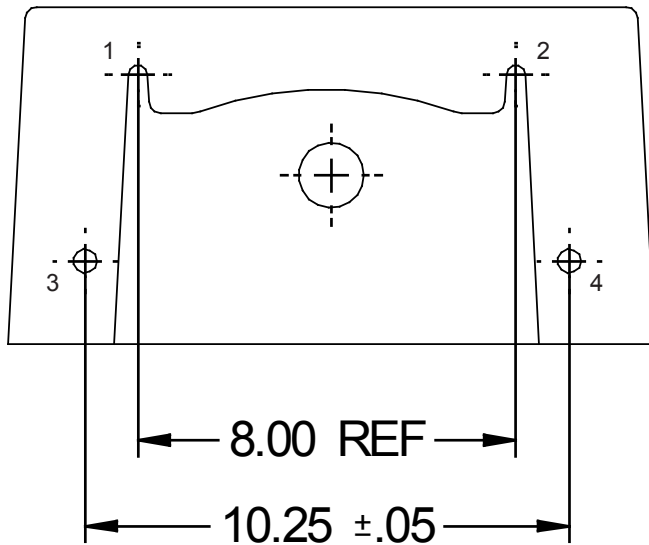
**FIG. 2**

**LEGEND:**  
**A = RECOMMENDED WATER SUPPLY LOCATION 3/8" O.D. UNPLATED COPPER TUBE CONNECT**  
**B = RECOMMENDED LOCATION FOR WASTE OUTLET 1-1/4" O.D. DRAIN**  
**C = MOUNTING HOLES FOR SECURING FOUNTAIN TO WALL (BLOCKING & WALL SUPPORT IS REQUIRED IN THESE AREA FOR PROPER SUPPORT OF FOUNTAINS)**  
**D = 1 - 1/4" TRAP FURNISHED**

## EDFPVR217RC Install Instructions



Attach the back panel to the wall using the top two holes (1) and (2) in panel. Do not tighten the back panel down, allow some slack for sliding the fountain over bolts.



Slide fountain onto partial secured bolts and tighten down at (1) and (2). Do not over tighten as cracking of the fountain or backing could occur. Secure the fountain with last 2 bolts at points (3) and (4).

## INSTALLATION INSTRUCTIONS COMPOSITE BACK PANEL

1. **Wall should already be framed for the fountain** using the positioning dimensions shown in Fig. 2. Shown dimensions pertain to installation location (framing must support up to 150 lbs. weight).
2. **Install rough-in plumbing** as shown in Fig. 2. Run supply water inlet line and connect to a service stop (not provided). Turn on supply water and flush thoroughly. Close water supply.
3. **Remove bottom access panel** from fountain basin and save the screws. Install the fountain to the back panel and wall using (4) 5/16" bolts and washers (not provided). Bolts should be long enough to securely fasten the fountain to the wall. Tighten securely, but do not over tighten. Over tightening will crack the Marblyte Fountain.
4. **Remove elbow from end of p-trap** (item 1) and attach it to drain tube. Re-attach elbow to p-trap and cut waste tube to required length using plumbing hardware and trap as guide.
5. **Make water supply connections** from service stop to the fountain strainer (Item 16) by inserting the water inlet line into the inlet side of strainer until it reaches a positive stop about 3/4", (See Figure 6, Page 7). Turn on water supply and check for leaks. Newly installed water supply line should be insulated after leak check is completed. **DO NOT SOLDER TUBES INSERTED INTO THE STRAINER AS DAMAGE TO THE O-RINGS MAY RESULT.**
6. **These products are designed** to operate on 20-105 PSI supply line pressure. If inlet pressure is above 105 PSI, a pressure regulator must be installed in the supply line. Any damage caused by reason of connecting these products to supply line pressure lower than 20 PSI or higher than 105 PSI is not covered by warranty.
7. **Check stream height from bubbler.** Stream height is factory set at 45-50 PSI. If supply pressure varies greatly from this, adjust the screw on regulator item 14 by using a small screwdriver through the small hole in the push button item 8 (See Fig. 3). Clockwise adjustment will raise stream height and counter-clockwise adjustment will lower stream height. For best adjustment stream height should be approximately 1-1/2" (38mm) above the bubbler.
8. **Replace bottom access panel** to fountain basin using screws provided. Tighten securely.

### Care and Maintenance of ELKAY Composite Fountains

Elkay Composite fountains provide an extremely durable, nonporous surface which resists staining. Care is very simple. Routine cleaning with a soft sponge or cloth, or with water or non-abrasive aerosol foam cleaner, is all that is normally needed to give many years of trouble free service. Cleaners left standing on the fountain surface can dull the surface finish. Be certain to rinse all cleaning agents completely and polish with a soft cloth.

Harsh abrasive cleaners are not required and should not be used.

Mild abrasives such as liquid automotive cleaning compound or baking soda paste will remove simple scratches and stains. Cigarette burns can normally be removed without noticeable effect. Deeper scratches or gouges can be corrected with fine grit sandpaper (240 grit then 400 grit) or a green Scotchbrite pad.

To maintain or regain luster and make cleaning easier, periodic applications of automobile wax or like products will keep the finish looking like new.

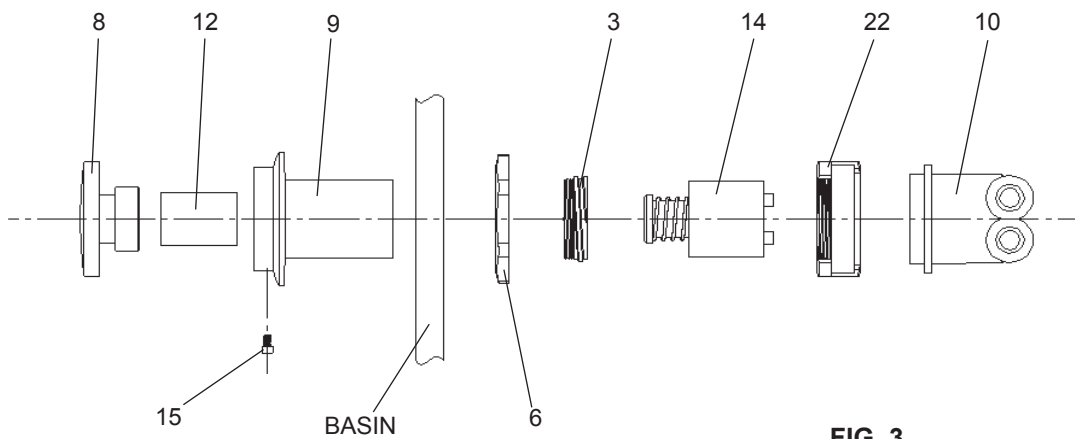


FIG. 3

TOP VIEW

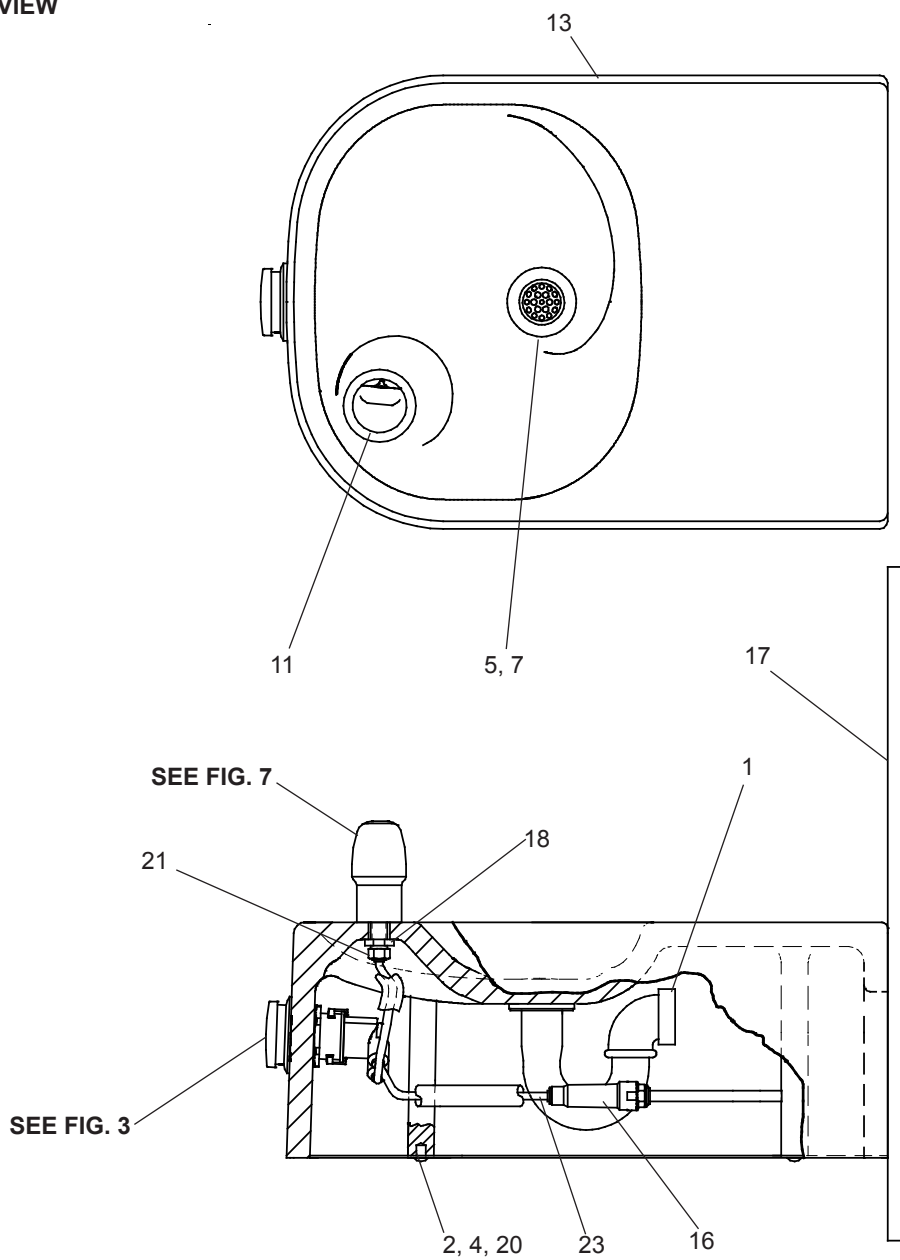


FIG. 4

PARTS LIST		
ITEM NO.	PART NO.	DESCRIPTION
1	LK464	Drain
2	112627543890	Screw #10-24 x 1/2 PH TR HD-Z
3	15005C	Nut - Reg. Retain 1-1/8 - 24
4	27658C	Bottom - Plate (HRFG-E)
	27201C	Bottom - Plate (HRFG-S)
5	40038C	Strainer-Beehive
6	40045C	Hex - Nut
7	40619C	Ferrule-Tailpipe
8	45662C	Push Button
9	45738C	Push Button Sleeve
10	50986C	Regulator Holder
11	98118C	Bubbler Assembly VR
12	56087C	Push Button - Extension
13	56053C	Fountain - Galaxy Gray (HRFG-E)
	55969C	Fountain - Galaxy Gray (HRFG-S)
14	61313C	Regulator
15	75672C	Screw Cap
16	55996C	Strainer
17	56301C	Panel - Dbl Back Galaxy Gray
18	70012C	Bubbler Locknut
19	75575C	Ball Anti-Rotation
20	75554C	Insert - Threaded
21	15029C	Nipple Assembly
22	45736C	Nut - Regulator Mounting
23	56092C	Poly Tubing (Cut To Length)
NS	75674C	Wrench -Allen 7/64

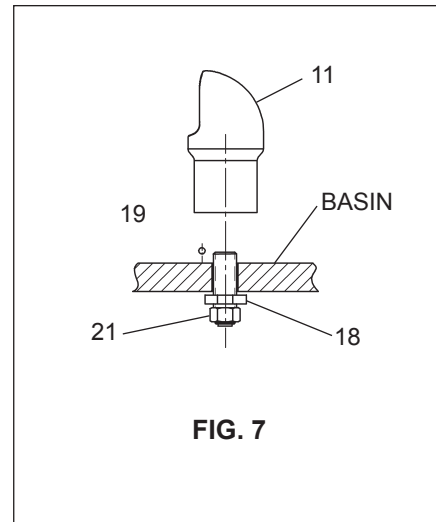


FIG. 7

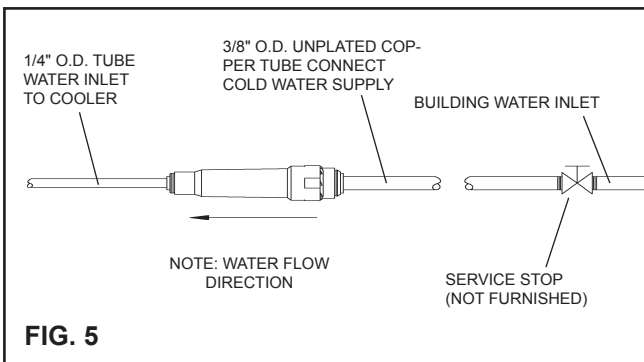
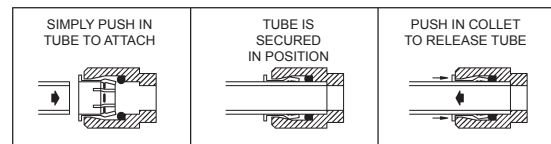


FIG. 5

### OPERATION OF QUICK CONNECT FITTINGS



PUSHING TUBE IN BEFORE PULLING IT OUT HELPS TO RELEASE TUBE

FIG. 6

## TROUBLE SHOOTING & MAINTENANCE

**Orifice Assy:** Mineral deposits on orifice can cause water flow to spurt or not regulate. Mineral deposits may be removed from the orifice with a small round file not over 1/8" diameter or small diameter wire. **CAUTION: DO NOT** file or cut orifice material.

**Stream Regulator:** If orifice is free of material deposits, regulate flow as in instructions on (Page 3, Step 9) or (Page 5, Step 7). If replacement is necessary, see parts list for correct regulator part number.

**Actuation of Quick Connect Water Fittings:** Cooler is provided with lead-free connectors which utilize an o-ring water seal. To remove tubing from the fitting, relieve water pressure, push in on the gray collar while pulling on the tubing. (See Figure 6, Page 7). To insert tubing, push tube straight into fitting until it reaches a positive stop, approximately 3/4".