

**PRODUCT SPECIFICATIONS**

Elkay Lustertone Stainless Steel 43" x 22" x 10", Single Bowl Top Mount Sink with Drainboard. Sink is manufactured from 18 gauge 304 Stainless Steel with a Lustertone finish, Rear Center drain placement, and Sound Guard.

|                              |  |
|------------------------------|--|
| <b>Installation Type:</b>    | Top Mount  |
| <b>Material:</b>             | 304 Stainless Steel  |
| <b>Special Features:</b>     | Drainboard   |
| <b>Finish:</b>               | Lustertone   |
| <b>Gauge:</b>                | 18   |
| <b>Sound Deadening:</b>      | Sound Guard  |
| <b>Number of Bowls:</b>      | 1  |
| <b>Sink Dimensions:</b>      | 43" x 22" x 10"  |
| <b>Bowl 1 Dimensions:</b>    | 21" x 15-3/4" x 9-7/8"   |
| <b>Drain Size:</b>           | 3-1/2" (89mm)  |
| <b>Drain Location:</b>       | Rear Center  |
| <b>Minimum Cabinet Size:</b> | 48"  |
| <b>Mounting Hardware:</b>    | Part # 64090014 included for countertops up to 3/4" (19mm) thick |
| <b>Cutout Template #:</b>    | <a href="#">1000001286</a>                                       |

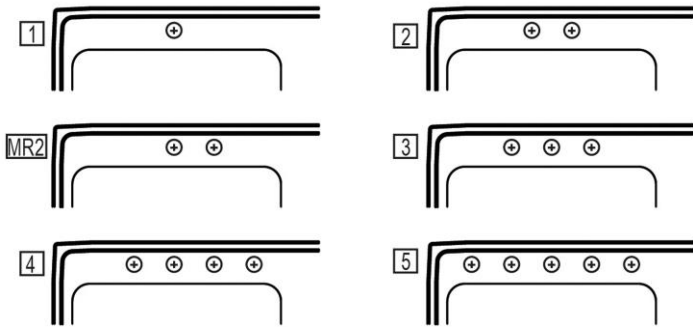
Template is available for download at [elkay.com](#)

**Cutout Dimensions for Top Mount Installation:**

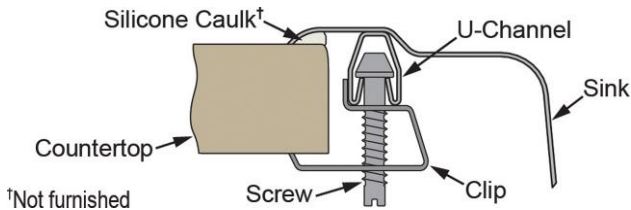
42-3/8" x 21-3/8" (1076mm x 543mm) with 1-1/2" (38mm) corner radius

**Hole Drilling Configurations:**

1-1/2" (38mm) Diameter Faucet Holes on 4" (102mm) Centers



**Installation Profile:**



PART: \_\_\_\_\_ QTY: \_\_\_\_\_  
 PROJECT: \_\_\_\_\_  
 CONTACT: \_\_\_\_\_  
 DATE: \_\_\_\_\_  
 NOTES: \_\_\_\_\_  
 APPROVAL: \_\_\_\_\_

In keeping with our policy of continuing product improvement, Elkay reserves the right to change product specifications without notice. Please visit [elkay.com](#) for the most current version of Elkay product specification sheets. This specification describes an Elkay product with design, quality, and functional benefits to the user. When making a comparison of other producers' offerings, be certain these features are not overlooked.



AMERICAN PRIDE. A LIFETIME TRADITION.  
 Like your family, the Elkay family has values and traditions that endure. For almost a century, Elkay has been a family-owned and operated company, providing thousands of jobs that support our families and communities.



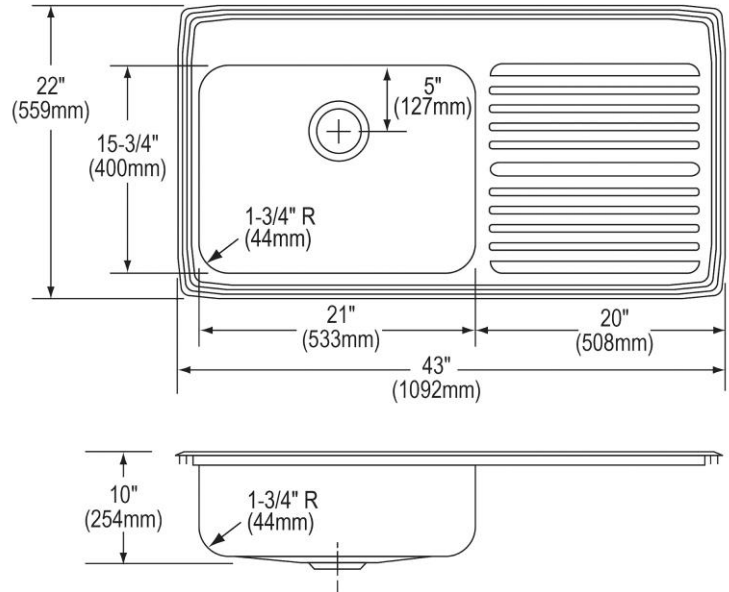
Sinks are listed by IAPMO<sup>®</sup> as meeting the applicable requirements of the Uniform Plumbing Code<sup>®</sup>, International Plumbing Code<sup>®</sup>, and National Plumbing Code of Canada.

**Product Compliance:** ASME A112.19.3/CSA B45.4  
 BUY AMERICAN ACT

- [Clean and Care Manual \(PDF\)](#)
- [Installation Instructions \(PDF\)](#)
- [Limited Lifetime Warranty \(PDF\)](#)

**Similar models are available with:**

small bowl on the opposite side, drainboard on the opposite side



**OPTIONAL ACCESSORIES**

|                        |                       |
|------------------------|-----------------------|
| <b>Bottom Grid:</b>    | LKWOBG2115SS          |
| <b>Cutting Board:</b>  | CB1516                |
| <b>Drain:</b>          | LK99                  |
| <b>Faucet:</b>         | LKGT1041, LKGT2041    |
| <b>Hardware:</b>       | LK364, LK463          |
| <b>Rinsing Basket:</b> | LKWRB2115SS, LKWERBSS |
| <b>Sinkmate:</b>       | LKSMHSL               |
| <b>Soap Dispenser:</b> | LKGT1054              |

*In keeping with our policy of continuing product improvement, Elkay reserves the right to change product specifications without notice. Please visit [elkay.com](http://elkay.com) for the most current version of Elkay product specification sheets. This specification describes an Elkay product with design, quality, and functional benefits to the user. When making a comparison of other producers' offerings, be certain these features are not overlooked.*