

# ELKAY®

## SPECIFICATIONS

### No Lead Single SwirlFlo® Wall Mount, Barrier-Free Refrigerated Fountain with EZH2O® Bottle Filling Station Model EZWS-ERPBM8K

Rated for Indoor Use Only

#### PRODUCT SPECIFICATION

Architectural fountain with integral bottle filling station. EZWS-ERPBM8K shall deliver 8 GPH of 50°F drinking water at 90°F ambient and 80°F inlet water. Unit shall be stainless steel construction with plastic ABS alcove. Sensor-activation with an auto 20-second shut-off timer. Shall include Green Ticker™ displaying count of plastic bottles saved from waste. Bottle filler shall provide 1.1 gpm flow rate with laminar flow to minimize splashing. Shall include integrated silver ion anti-microbial protection in key areas. Unit shall meet ADA guidelines. Unit shall be lead-free design which is certified to NSF/ANSI 61 and 372 and meets Federal and State low-lead requirements. Unit shall be certified to UL399 and CAN/CSA 22.2 No. 120.

#### FOUNTAINS GENERAL

Fully exposed single fountain basin made of 300 series stainless steel, polished to a lustrous satin finish with high shine outer edge.

Fountain has contoured basin that minimizes splashing. Flexi-Guard® Safety bubbler is keyed in location to prevent rotation. Fully functional, vandal-resistant front push button on the fountain. Flow regulator provides constant stream from 20 to 105 psi water pressure.

#### BOTTLE FILLER STANDARD FEATURES

- No-touch, sensor- activated bottle filler
- Auto 20-second shut-off
- Integrated Silver Ion Anti-Microbial Protection in key areas
- Quick Fill Rate: 1.1 gpm
- Laminar Flow provides minimal splash
- Real Drain System eliminates standing water
- Visual User Interface display includes:
  - Innovative Green Ticker™ counts bottles saved from waste
- Includes lower panel for easy access and servicing

#### COOLING SYSTEM

- Compressor: Hermetically-sealed, reciprocating type, single phase. Sealed-in lifetime lubrication.
- Condenser: Fan cooled. Fan motor is permanently lubricated.
- Cooling Unit: Combination tube-tank type. Continuous copper tubing which is fully insulated with EPS foam that meets UL requirements for self-extinguishing material.
- Refrigerant control: Refrigerant R134a is controlled by accurately calibrated capillary tube.
- Temperature Control: Enclosed adjustable thermostat is factory preset. Requires no adjustment other than for altitude requirements, easily accessible by removing lower grille panel.

#### CAPACITIES CHART

Model	Voltage / Hertz	Chilling Capacity	F.L. Amps	Rated Watts	Approx. Ship Wt.
EZWS-ERPBM8K	115V / 60Hz	8.0 GPH	5.0	370	170 lbs.



Model  
EZWS-ERPBM8K

#### CONSTRUCTION

**EZWS-ERPBM8K** single fountain furnished complete with Flexi-Guard® Safety bubbler. Fully assembled with front push button on the fountain, flow regulator (20 to 105 psi), stainless steel back panel. No traps are furnished.

- Stainless Steel bottle filler construction with ABS plastic alcove
- Includes stainless steel lower panel
- Furnished with wall mounting frame constructed of galvanized steel. Mounting can be ordered separately for pre-install

**Warranty:** 5 year limited warranty on the unit's refrigeration system. Electrical components and water system are warranted for 12 months from date of installation or 18 months from factory shipment, whichever date falls first.

#### CERTIFICATIONS / STANDARDS

- ADA Compliant
- UL399 and CAN/CSA 22.2 No. 120 Certified
- NSF/ANSI 61 and 372 Certified
- GreenSpec® Listed



This specification describes an Elkay product with design, quality and functional benefits to the user. When making a comparison of other producer's offerings, be certain these features are not overlooked.

**No Lead Two-Level SwirlFlo®**  
**Wall Mount, Barrier-Free Refrigerated Fountain**  
**with EZH2O® Bottle Filling Station**  
**Model EZWS-ERPBM8K**

**ELKAY®**  
**ROUGH-IN DIMENSIONS**

**INSTALLER NOTE:**

THIS DRINKING FOUNTAIN IS FURNISHED WITH A BUBBLER AND VALVE INCLUDING ALL CONNECTING FITTINGS WHICH ARE MANUFACTURED OF COMPLETELY LEAD FREE MATERIAL. SHUTOFF VALVE (NOT FURNISHED) TO ACCEPT 3/8" O.D. UNPLATED COPPER TUBE.

**WALL OPENING**

**IMPORTANT:** It is necessary to create a wall opening 18 3/4" W x 52 1/8" H and 4 1/2" above the floor line.

**ELECTRICAL DATA**

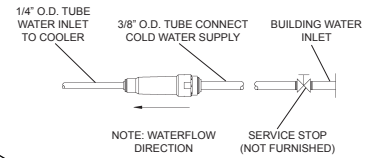
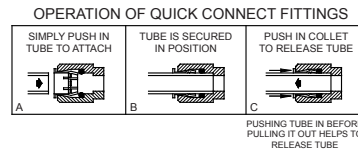
Junction box for a (3) wire 10 AMP branch circuit. Standard 120 Volt, 60 Hz, single phase.

Electrical outlet, three (3) conductor grounded. Locate within safe reach of power cords.

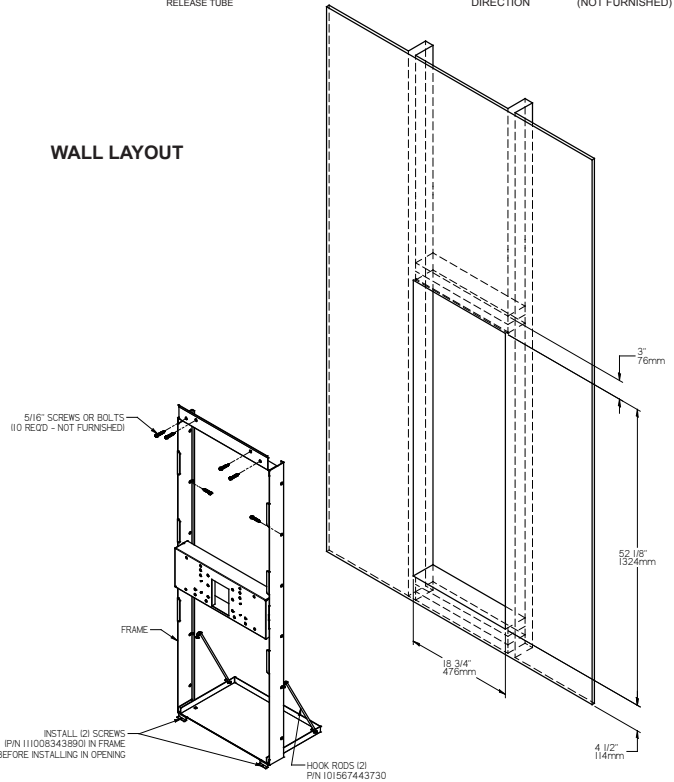
**MOUNTING INSTRUCTIONS**

Refer to rough-in for location of plumbing and electrical sources. The support frame is to be installed first. Hang upper panel to hanger on frame. Fountain is to be attached to panel and wall frame. Water service line, waste line and electrical are assembled as required. Perform a final check for leaks and correct function of fountain and chiller. (For details see the installation instructions.)

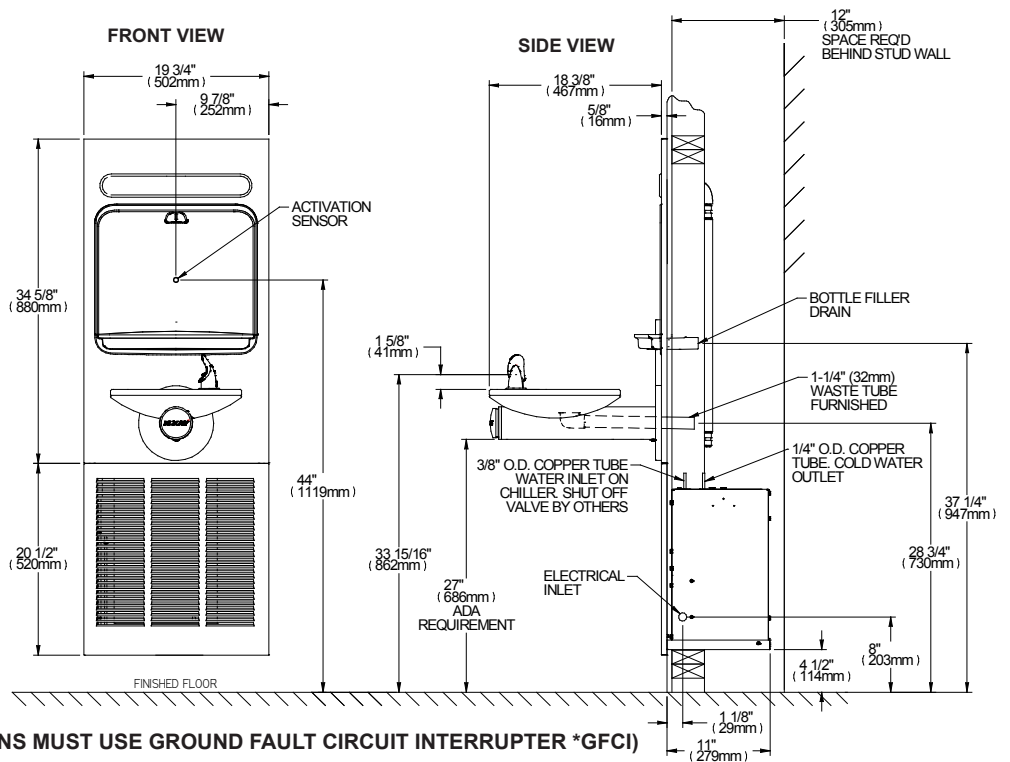
**Installation requires trap to be installed in wall. Trap and service stop not included.**



**WALL LAYOUT**



Job Name: \_\_\_\_\_  
 Date: \_\_\_\_\_ Qty. \_\_\_\_\_  
 Contact Info (Name, Phone, Email): \_\_\_\_\_  
 \_\_\_\_\_  
 Approval: \_\_\_\_\_



**\*\*NEW INSTALLATIONS MUST USE GROUND FAULT CIRCUIT INTERRUPTER \*GFCI)**