

**PRODUCT SPECIFICATIONS**

Elkay Outdoor EZH2O® Bottle Filling Station Pedestal, Non-Filtered Non-Refrigerated. Features shall include E-Coat, Heavy Duty Vandal-Resistant, Laminar Flow. Front Bubbler Button activation. Product shall be Floor Mount/Freestanding, for Outdoor applications, serving 1 station(s). Unit shall be lead-free design which is certified to NSF/ANSI 61 & 372 (lead free) and meets Federal and State low-lead requirements.

<b>Special Features:</b>	E-Coat, Heavy Duty Vandal-Resistant, Laminar Flow
<b>Finish:</b>	Beige (BGE), Black (BLK), Blue (BLU), Brown (BRN), Evergreen (EVG), Gray (GRY), Orange (ORN), Purple (PUR), Red (RED), Terracotta (TER), White (WHT), Yellow (YLW)
<b>Power:</b>	No Electrical Required
<b>Bubbler Style:</b>	No Bubbler
<b>Activation by:</b>	Front Bubbler Button
<b>Mounting Type:</b>	Floor Mount/Freestanding
<b>Chilling Option:</b>	Non-Refrigerated
<b>Full Load Amps</b>	0
<b>Dimensions (L x W x H):</b>	14" x 14" x 64"
<b>Approx. Shipping Weight:</b>	179 lbs.
<b>Installation Location:</b>	Outdoor
<b>No. of Stations Served:</b>	1

**Special Note:** Choose from 12 color options

- Laminar flow provides clean fill with minimal splash.
- Heavy Duty Vandal-Resistant:
  - Tamper resistant screws
  - Resists stains and corrosion
  - Heavy-gauge construction
- Unique E-Coat immersion process coats the inside and outside of the fountain for ultimate corrosion protection.



AMERICAN PRIDE. A LIFETIME TRADITION. Like your family, the Elkay family has values and traditions that endure. For almost a century, Elkay has been a family-owned and operated company, providing thousands of jobs that support our families and communities.



**Included with Product:** Outdoor Bottle Filler

**PRODUCT COMPLIANCE**

ADA  
Buy American Act  
GreenSpec®  
NSF/ANSI 61 & 372 (lead free)



[Installation Instructions \(PDF\)](#)

**Warranty pertains to drinking water applications only. Non-drinking water applications are not covered under warranty.**

[Warranty \(PDF\)](#)

**OPTIONAL ACCESSORIES**

LK4471LHB - Locking Hose Bib
97890C - Accessory - Direct Bury Adaptor
LK4470NLHB - Hose Bib

PART: \_\_\_\_\_ QTY: \_\_\_\_\_

PROJECT: \_\_\_\_\_

CONTACT: \_\_\_\_\_

DATE: \_\_\_\_\_

NOTES: \_\_\_\_\_

APPROVAL: \_\_\_\_\_

*In keeping with our policy of continuing product improvement, Elkay reserves the right to change product specifications without notice. Please visit elkay.com for the most current version of Elkay product specification sheets. This specification describes an Elkay product with design, quality, and functional benefits to the user. When making a comparison of other producers' offerings, be certain these features are not overlooked.*

**MOUNTING INSTRUCTIONS and PLUMBING CONNECTIONS**

Refer to diagrams for plumbing rough-in. Provide solid, well-drained smooth, flat, finished surface to mount pedestal fountain (concrete pad recommended) with adequate support (300 lb. load minimum). To secure unit, use (6) 3/8" minimum fasteners (not provided).

A service supply stop must be installed at the fountain inlet line.

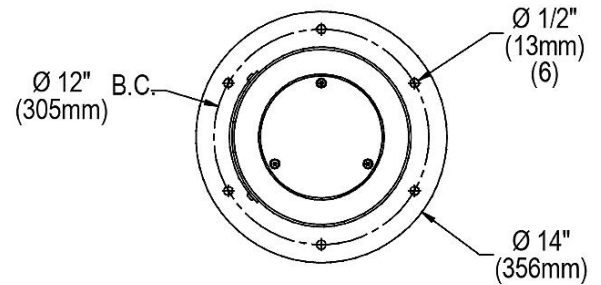
Trap and service stop not included.

Position pedestal over plumbing and secure base to fasteners. Remove access panels and connect supply and water lines. Turn on water supply and check for leaks. Refer to owner's manual for detailed instructions. Reassemble access panels to pedestal.

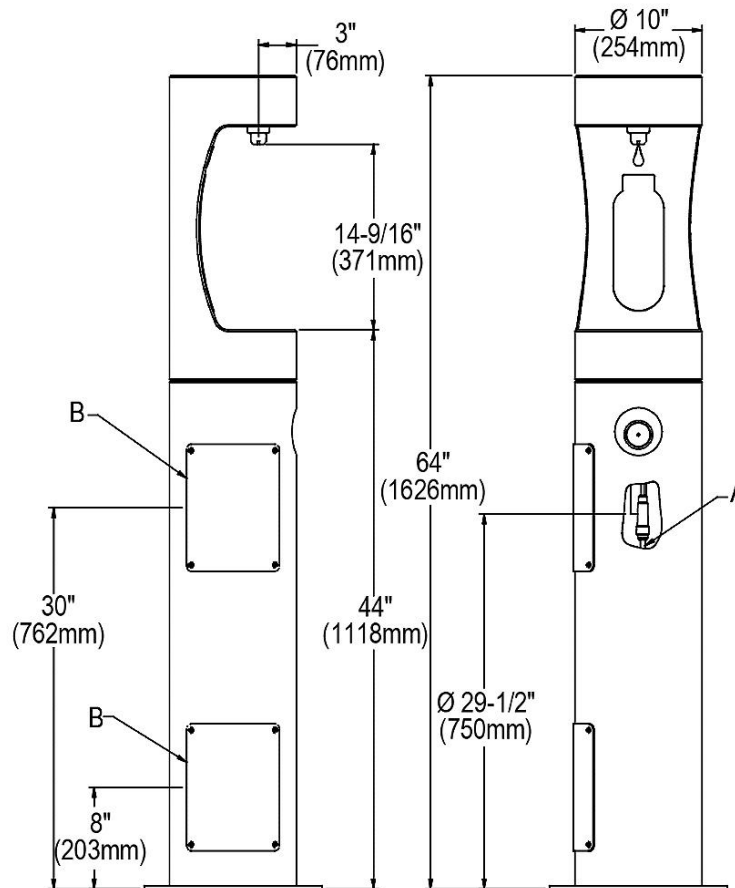
**OPERATING PRESSURES:**

Supply water 20 – 105 psi maximum

TOP VIEW



SIDE & FRONT VIEWS



A = 3/8" O.D. Unplated copper tube connect. Shut off valve by others.

B = Access panel(8" x 10")

Note : New Installations Must Use Ground Fault Circuit Interrupter (GFCI).

*In keeping with our policy of continuing product improvement, Elkay reserves the right to change product specifications without notice. Please visit [elkay.com](http://elkay.com) for the most current version of Elkay product specification sheets. This specification describes an Elkay product with design, quality, and functional benefits to the user. When making a comparison of other producers' offerings, be certain these features are not overlooked.*