

PRODUCT SPECIFICATIONS

Rinsing Basket. Overall dimensions are 15-3/8" x 12-3/8" x 5-7/16".
Made of Stainless Steel.

Custom designed rinsing baskets are:

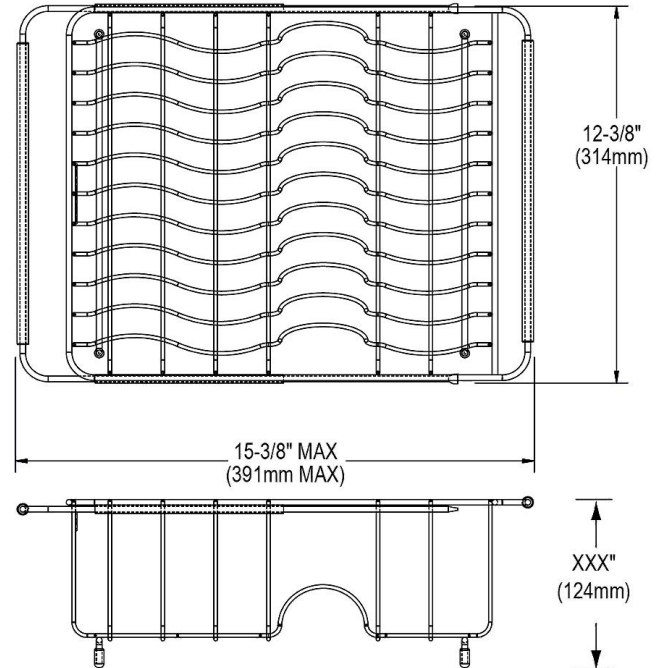
- Ideal for rinsing food or drying dishes.
- Custom designed to fit your sink.
- Formed from stainless steel with a bright polished finish and black vinyl feet.
- Built from solid stainless steel to resist corrosion and provide years of service.



Material:	Stainless Steel
Dimensions:	15-3/8" x 12-3/8" x 5-7/16"
Fits Bowl Size(s):	13-1/2" x 15" to 20" x 18"

AMERICAN PRIDE. A LIFETIME TRADITION.
Like your family, the Elkay family has values and traditions that endure. For almost a century, Elkay has been a family-owned and operated company, providing thousands of jobs that support our families and communities.

- [Clean and Care Manual \(PDF\)](#)
- [Clean and Care Manual \(PDF\)](#)
- [Warranty \(PDF\)](#)



PART: _____ QTY: _____
 PROJECT: _____
 CONTACT: _____
 DATE: _____
 NOTES: _____
 APPROVAL: _____

In keeping with our policy of continuing product improvement, Elkay reserves the right to change product specifications without notice. Please visit elkay.com for the most current version of Elkay product specification sheets. This specification describes an Elkay product with design, quality, and functional benefits to the user. When making a comparison of other producers' offerings, be certain these features are not overlooked.