

ELKAY® SPECIFICATIONS

EZH2O® In-Wall Bottle Filling Station with Filtered Bi-Level Soft Sides® Refrigerated Fountains Model LZWS-SS28K

PRODUCT SPECIFICATION

RATED FOR INDOOR USE ONLY

In-wall bottle filling station with bi-level refrigerated round front fountains. LZWS-SS28K shall deliver 8 GPH of 50°F drinking water at 90°F ambient and 80°F inlet water. Bi-level stainless steel fountains with rounded edges and vandal-resistant pushbutton activation. Bottle filling unit shall be stainless steel construction with plastic ABS alcove Sensor-activation with an auto 20-second shut-off timer. Shall include Green Ticker™ displaying count of plastic bottles saved from waste. Bottle filler shall provide 1.1gpm flow rate with laminar flow to minimize splashing. Shall include the WaterSentry® Plus 3000-gallon capacity filter, certified to NSF/ANSI 42 and 53, with visual monitor to indicate when replacement is necessary. Shall include integrated silver ion anti-microbial protection in key areas. Unit shall meet ADA guidelines. Unit shall be lead-free design which is certified to NSF/ANSI 61 and 372 and meets Federal and State low-lead requirements. Unit shall be certified to UL399 and CAN/CSA 22.2 No. 120.



STANDARD FEATURES

Fountain

- Fountains feature the Flexi-Guard® Safety Bubbler
- Rounded edges with vandal-resistant pushbutton activation

Bottle Filler

- Sanitary, touchless activation with auto 20-second shut-off (Bottle Filler)
- WaterSentry® Plus 3000-gallon capacity Filtration System, certified to NSF/ANSI 42 & 53 (Lead, Class 1 Particulate, Chlorine, Taste & Odor)
- Integrated Silver Ion Anti-microbial Protection in key areas
- Quick Fill Rate: 1.1 gpm
- Laminar Flow provides minimal splash
- Real Drain System eliminates standing water
- Visual User Interface display includes:
 - Innovative Green Ticker™ counts bottles saved from waste
 - LED Visual Filter Monitor shows when replacement is necessary
- Includes lower hinged panel for easy access and servicing

COOLING SYSTEM

- Compressor: hermetically-sealed, reciprocating type, single phase. Sealed-in lifetime lubrication.
- Condenser: Fan cooled. Fan motor is permanently lubricated.
- Cooling Unit: Combination tube-tank type. Continuous copper tubing with stainless steel tank. Fully insulated with EPS foam which meets UL requirements for self-extinguishing material.
- Refrigerant Control: Refrigerant R134a is controlled by accurately calibrated capillary tube.
- Temperature Control: Enclosed adjustable thermostat is factory preset. Requires no adjustment other than for altitude requirements, Easily accessible by removing lower grille panel.





CONSTRUCTION

- Stainless steel bottle filler construction with ABS plastic alcove
- Includes solid stainless steel lower panel with bottle filler and louvered ventilating grille with fountain
- Furnished with MF200 and MFWS100 wall mounting boxes constructed of galvanized steel. Mounting can be ordered separately for pre-install.
- Flexi-Guard® Safety Bubbler utilizes an infused anti-microbial pliable polyester elastomer to prevent accidental mouth injuries. Flexes on impact.

REPLACEMENT FILTERS: Available as Singles and Multi-packs.

- 51300C (single)
- 51300C_3PK (three)
- 51300C_12PK (twelve)
- 51300C_24PK (twenty-four)
- 51300C_48PK (forty-eight)

Warranty: 5 year limited warranty on the unit's refrigeration system. Electrical components and water system are warranted for 12 months from date of installation or 18 months from factory shipment, whichever date falls first.

CAPACITIES CHART									
Model	Voltage / Hertz	Chilling** Capacity	F.L. Amps	*Rated Watts	Approx. Ship Wt.	ADA Compliant	UL399 and CAN/CSA 22.2 No. 120 Certified	NSF/ANSI 61 and 372 Certified 42 and 53 Certified (filter only)	GreenSpec® Listed
LZWS-SS28K	115V / 60 Hz	8.0 GPH	5.0	740	167 lbs.	•	•	•	•

*Based on 370 watts per chiller.

**Based on 80°F inlet water & 90°F ambient air temp for 50°F chilled drinking water.

This specification describes an Elkay product with design, quality and functional benefits to the user. When making a comparison of other producer's offerings, be certain these features are not overlooked.

In keeping with our policy of continuing product improvement, Elkay reserves the right to change specification without notice. Please visit elkay.com for the most current version.

2222 Camden Court
Oak Brook, IL 60523
630-572-3192
elkay.com

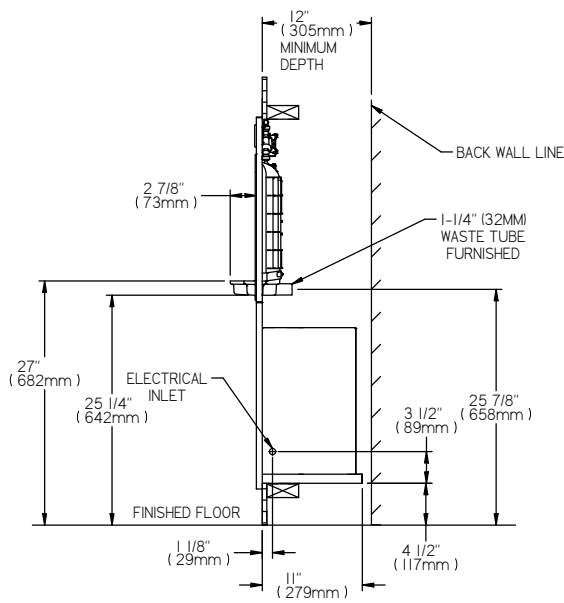
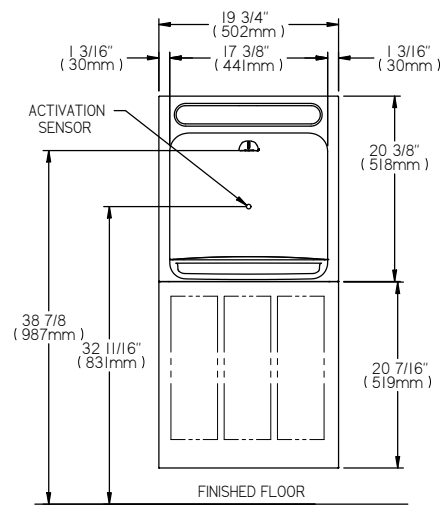
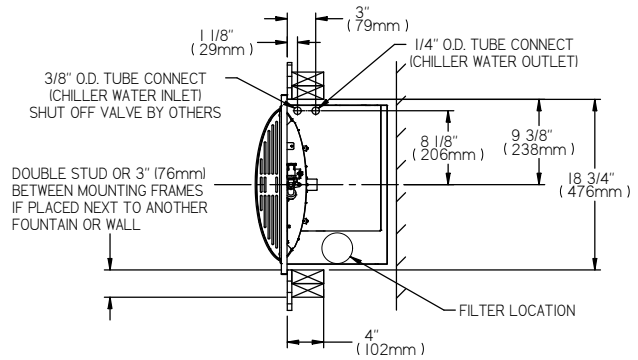
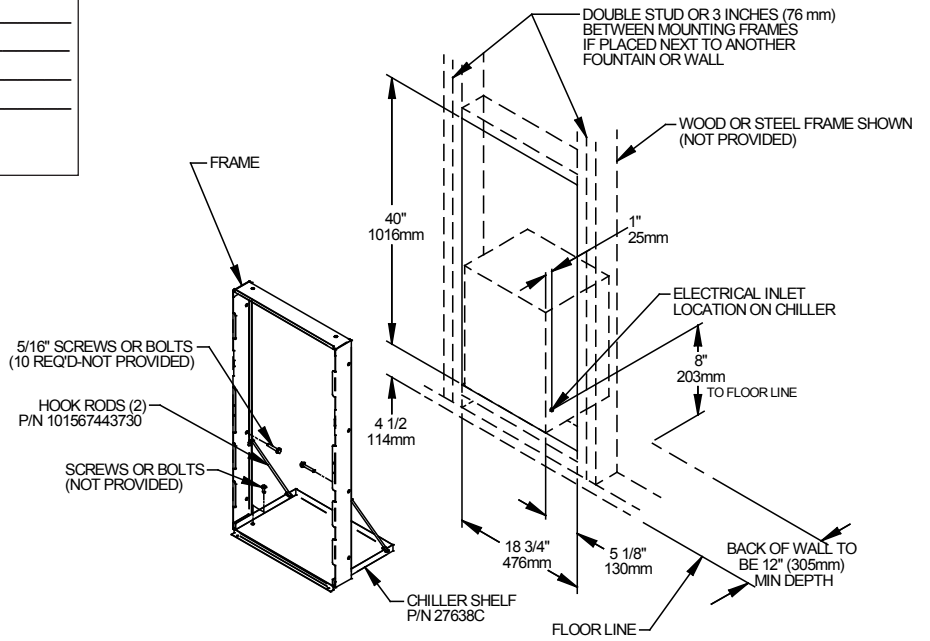
© 2016 Elkay
SPEC14-82 (08/2016)

**EZH20® In-Wall Bottle Filling Station with
Filtered Bi-Level Soft Sides® Refrigerated Fountains
Model LZWS-SS28K**

**ELKAY®
ROUGH-IN DIMENSIONS**

RATED FOR INDOOR USE ONLY

Job Name: _____
 Model: _____ Qty. _____
 Contact: _____
 Approval Signature: _____
 Notes: _____



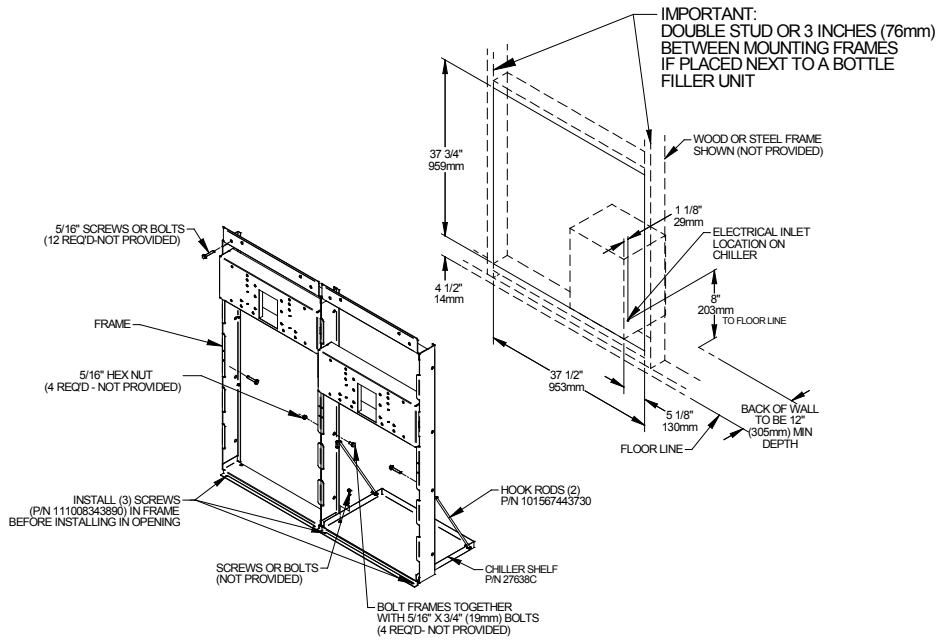
**EZH2O® In-Wall Bottle Filling Station with
Filtered Bi-Level Soft Sides® Refrigerated Fountains
Model LZWS-SS28K**

**ELKAY®
ROUGH-IN DIMENSIONS**

FOUNTAIN MOUNTING FRAME INSTRUCTIONS

1. **Cut a square rectangular wall opening** 37-1/2" (953mm) W x 37-3/4" (959mm) H and 4-1/2" (114mm) above the floor line. These dimensions are required to obtain proper rim and bubbler heights for compliance with ANSI Standard A117.1
2. **Reinforce the wall opening** on all sides so that it will adequately support the water fountain. This reinforcement must support up to 150 lbs static load and provide a means for securing the frame assembly in place.
3. **Install plumbing and electrical rough-ins.** See rough-in for location of the supply water inlet to chiller and for the location of the waste water outlet. A junction box for a (3) wire, 10 amp branch circuit is provided on the inside of the chiller. (Standard 115 volts, 60 Hz and single phase).
4. **Remove frame assembly and related hardware** from packaging. Attach the two frames together through the upright supports with (4) 5/16" x 3/4" (19mm) long bolts and nuts (provided). Tighten securely.
NOTE: Frame with higher upper channel to be on the right side.
5. **Install the frame assembly** squarely in wall opening with frame upright support edges flush with the finished wall face. Secure the frame to the wall through holes with (12) 5/16" x 2" (51mm) long lag bolts or screws (not provided). Tighten securely.
6. **Attach the chiller shelf support rods** to the right side frame uprights at the second set of holes counting from the bottom and to the shelf at the (2) side holes. Line up the other shelf holes with the frame bottom holes and fasten the assembly to the wall using appropriately sized wood screws or bolts and nuts (provided).

RATED FOR INDOOR USE ONLY

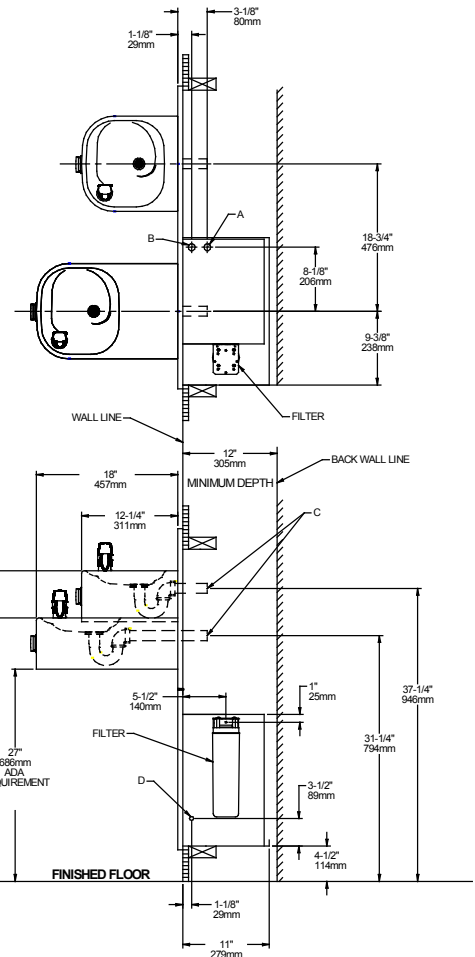


**IMPORTANT!
INSTALLER NOTE:**

The grounding of electrical equipment such as telephone, computers, etc., to water lines is common procedure. This grounding may be in the building or may occur away from the building or may occur away from the building. This grounding can cause electrical feedback into a water cooler, creating an electrolysis which causes a metallic taste or an increase in the metal content of the water. This condition is avoidable by using the proper materials as indicated below.

To minimize electrically induced corrosion, all water coolers should be connected to the water supply using an electrically isolating coupling. This cooler is furnished with non-metallic filter which meets this requirement.

The drain fittings which are provided by the installer should also be plastic to electrically isolate the cooler from the building plumbing system.



Job Name: _____
 Model: _____ Qty. _____
 Contact: _____
 Approval Signature: _____
 Notes: _____

LEGEND

- A = 1/4" O.D. TUBE CONNECT (CHILLER WATER OUTLET)**
- B = 3/8" O.D. TUBE CONNECT (CHILLER WATER INLET)
SHUT-OFF VALVE BY OTHERS**
- C = 1-1/4" TRAP FURNISHED**
- D = ELECTRICAL INLET**