

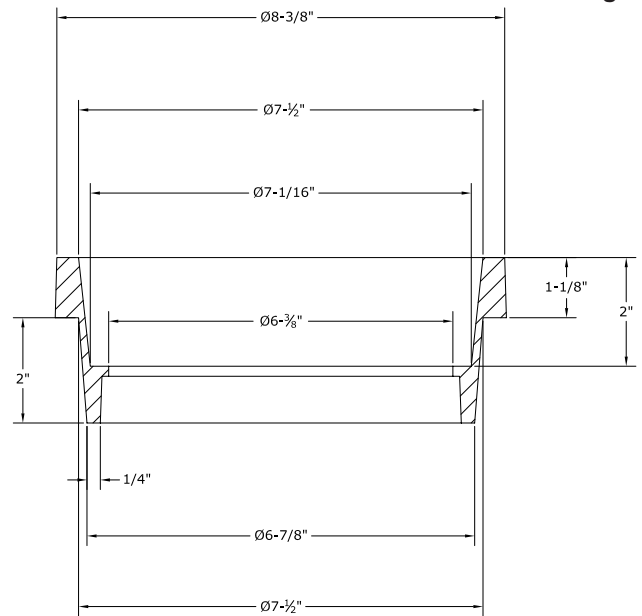
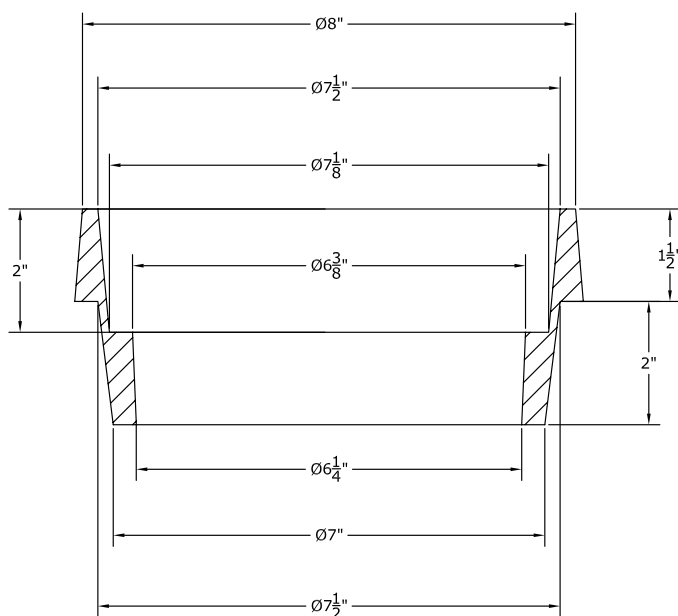
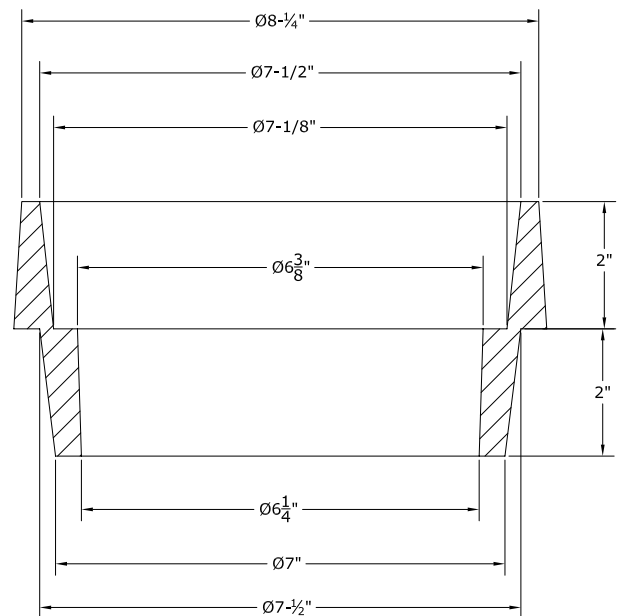
# 5-1/4" VALVE BOX RISER

## Product Features

All valve boxes and related parts shall be coated on all surfaces with an asphaltic varnish of 2mm in thickness. For 4" through 12" valves.

## Model Numbers

		Riser Size	Drawing No
<b>IVBR514G</b>	5-1/4" x 1" VLV BX RSR	1	1
<b>IVBR514J</b>	5-1/4" x 1-1/2" VLV BX RSR	1-1/2	2
<b>IVBR514K</b>	5-1/4" x 2" VLV BX RSR	2	3
<b>IVBR514M</b>	5-1/4" x 3" VLV BX RSR	3	4
<b>IVBR514P</b>	5-1/4" x 4" VLV BX RSR	4	5
<b>IVBR514U</b>	5-1/4" x 6" VLV BX RSR	6	6

**Drawing 1**

**Drawing 2**

**Drawing 3**


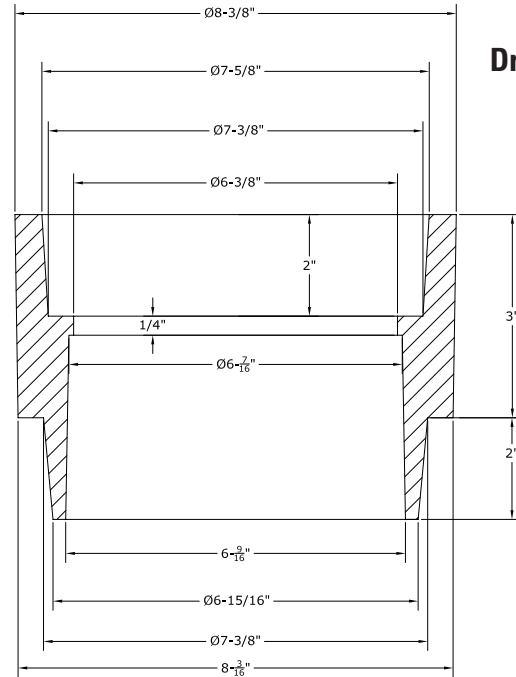
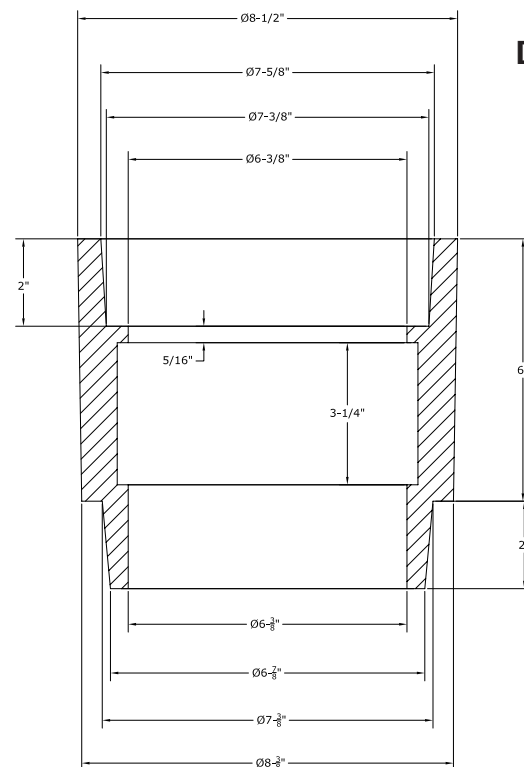
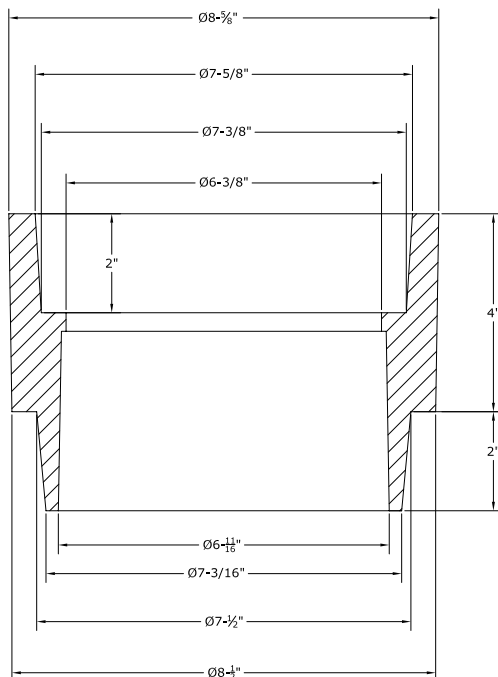
## Codes & Approvals

Valve boxes conform to ASTM A-48, Grade 30B; Asphaltic varnish conforms to AWWA C-104.

# 5-1/4" VALVE BOX RISER (page 2)

## Model Numbers

		Riser Size	Drawing No
<b>IVBR514G</b>	5-1/4" x 1" VLV BX RSR	1	1
<b>IVBR514J</b>	5-1/4" x 1-1/2" VLV BX RSR	1-1/2	2
<b>IVBR514K</b>	5-1/4" x 2" VLV BX RSR	2	3
<b>IVBR514M</b>	5-1/4" x 3" VLV BX RSR	3	4
<b>IVBR514P</b>	5-1/4" x 4" VLV BX RSR	4	5
<b>IVBR514U</b>	5-1/4" x 6" VLV BX RSR	6	6


**Drawing 4**
**Drawing 5**

**Drawing 6**

## Codes & Approvals

Valve boxes conform to ASTM A-48, Grade 30B; Asphaltic varnish conforms to AWWA C-104.



12500 Jefferson Avenue  
Newport News, Virginia 23602  
757-874-7795

## General Certificate of Compliance- Valve Boxes

This is to certify that our Standard Duty Valve Boxes are manufactured from cast iron as per the ASTM A48 Class 30B standard and will meet minimum tensile strength requirement of 30,000 psi.

Our Valve Boxes meet the load requirement as per H20 Rating.

All Valve Boxes will be manufactured as per their respective drawing and standards mentioned within the drawing.

Sincerely,

A handwritten signature in black ink that reads 'Diana Robertson'.

Diana Robertson  
Product Specialist