



5-3/8" CENTERLINE GOOSENECK B SPOUT

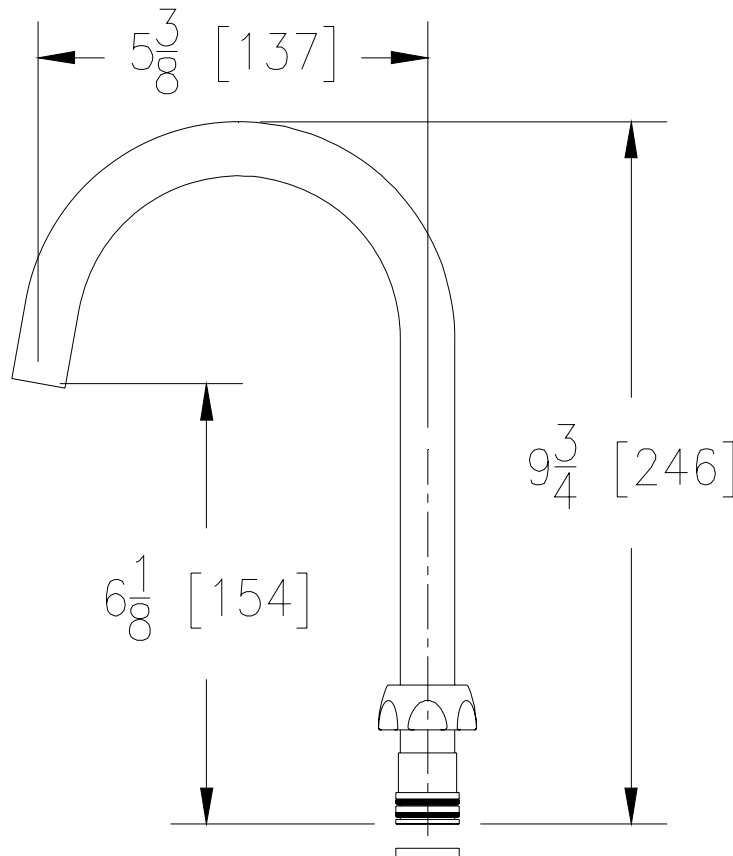
G67857 ('B'-XL-FC)

TAG _____



Engineering Specification: Zurn AquaSpec® G67857 ('B'-XL-FC)
Polished chrome-plated brass 5-3/8" [137mm] tubular plain end spout with rigid connection and 2.0 GPM flow control in base of spout.

Zurn Lead Compliant* "XL" products are a line of durable, high quality brass faucets and fixtures that are designed and manufactured to comply with state laws and local codes that mandate lead content levels. Zurn "XL" products are manufactured with *not more than 0.25% lead content when used with respect to wetted surfaces of pipes and pipe fittings, plumbing fitting and fixtures: California Health & Safety Code § 116875; Vermont 9 VCA § 2470h



Note: All dimensions are for reference only. Do not use for pre-plumbing.

OPTIONAL ACCESSORIES

Suffix	Description
--------	-------------

ZURN INDUSTRIES, LLC ♦ COMMERCIAL BRASS OPERATION ♦ 2640 SOUTH WORK STREET ♦ FALCONER NY 14733

Phone: 1-800-997-3876 ♦ Fax: 1-919-775-3541 ♦ www.zurn.com

In Canada: ZURN INDUSTRIES LIMITED ♦ 3544 Nashua Drive ♦ Mississauga, Ontario L4V1L2 ♦ Phone: 905/405-8272 Fax: 905/405-1292

AquaSpec® is a registered trademark of Zurn Industries, LLC
©2010 Zurn Industries, LLC

Rev.

Date: 9/8/10

C.N. No. 126877

Dwg. No. 302260

Product No. G67857 ('B'-XL-FC)