

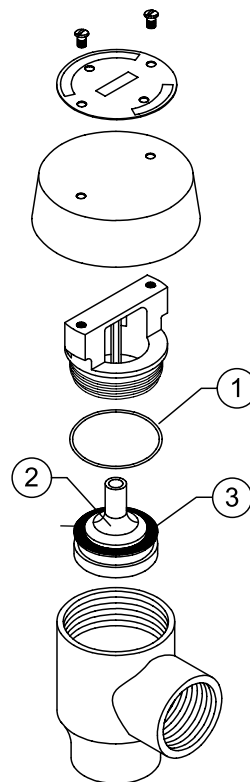
# MODEL 35XL and 35

## Atmospheric Vacuum Breaker – 1/4" to 2"

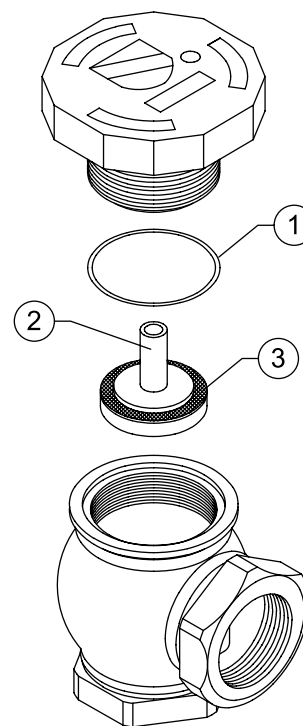


### Repair Kit

Item Number	Qty.	Description
<b>RK14-35</b>		
<b>Size 1/4" 3/8"</b>		
1	1	O-RING
2	1	FLOAT
3	1	SEAL RING
<b>RK12-35</b>		
<b>Size 1/2"</b>		
1	1	O-RING
2	1	FLOAT
3	1	SEAL RING
<b>RK34-35</b>		
<b>Size 3/4"</b>		
1	1	GASKET
2	1	FLOAT
3	1	SEAL RING
<b>RK1-35</b>		
<b>Size 1"</b>		
1	1	GASKET
2	1	FLOAT
3	1	SEAL RING
<b>RK114-35</b>		
<b>Size 1-1/4"</b>		
1	1	GASKET
2	1	FLOAT
3	1	SEAL RING
<b>RK112-35</b>		
<b>Size 1-1/2"</b>		
1	1	GASKET
2	1	FLOAT
3	1	SEAL RING
<b>RK2-35</b>		
<b>Size 2"</b>		
1	1	GASKET
2	1	FLOAT
3	1	SEAL RING



**1/4"-1/2"**



**3/4"-2"**

# MODEL 30

## Atmospheric Vacuum Breaker – 1" to 2"



### Repair Kit

Item Number	Part Number	Qty.	Description
<b>RK1-315</b>			<b>1" MODEL 30, 315 and 320</b>
1	203A-12	1	GASKET
2	303-34-010	1	FLOAT
3	303-12	1	SEAL RING
<b>RK114-315</b>			<b>1-1/4" MODEL 30, 315 and 320</b>
1	204A-12	1	GASKET
2	304-34-010F	1	FLOAT
3	304-12	1	SEAL RING
<b>RK112-315</b>			<b>1 1/2" MODEL 30 , 315 and 320</b>
1	205A-12	1	GASKET
2	305-34	1	FLOAT
3	305-12	1	SEAL RING
<b>RK2-315</b>			<b>2" MODEL 30 , 315 and 320</b>
1	206A-12	1	GASKET
2	306-34-010F	1	FLOAT
3	306-12A	1	SEAL RING

