

MODEL 975XL2 and 975XL

Reduced Pressure Principle – Backflow Preventers 1/4" to 1/2"



| Item Number | Description | 1/4" | 3/8" | 1/2" |
|-------------|---------------------------------|-------------------|-------------------|----------------|
| 1 | BALL VALVE, TAPPED | 12-850TMXL/971B-2 | 12-850TMXL/971A-2 | 12-850TMXL |
| 2 | TEST COCK | 18-860XL | 18-860XL | 18-860XL |
| 3 | CHECK COVER | 971-3XL2-010F | 971-3XL2-010F | 971-3XL2-010F |
| 4 | O-RING, COVER | 123N | 123N | 123N |
| 5 | NO.2 CHECK SPRING | 951-33 | 951-33 | 951-33 |
| 6 | NO.1 CHECK SPRING | 971-33 | 971-33 | 971-33 |
| 7 | POPPET | 951-30 | 951-30 | 951-30 |
| 8 | SEAL RING | 951-12S | 951-12S | 951-12S |
| 9 | SEAL RING RETAINER | 951-14 | 951-14 | 951-14 |
| 10 | RETAINING BOLT | 951-11 | 951-11 | 951-11 |
| 11 | POPPET ASSEMBLY | 951-300S | 951-300S | 951-300S |
| 12 | CHECK SEAT | 951-18 | 951-18 | 951-18 |
| 13 | O-RING, CHECK SEAT | 020N | 020N | 020N |
| 14 | BALL VALVE | 12-850MXL/971B-2 | 12-850MXL/971A-2 | 12-850MXL |
| 15 | O-RING, RELIEF VALVE SEAT | WK-016N | WK-016N | WK-016N |
| 16 | RELIEF VALVE SEAT | 971-18 | 971-18 | 971-18 |
| 17 | RELIEF VALVE SPRING | 971A-33 | 971A-33 | 971A-33 |
| 18 | RELIEF VALVE RETAINING BOLT | 971-11 | 971-11 | 971-11 |
| 19 | RELIEF VALVE SEAL RING RETAINER | 971-14 | 971-14 | 971-14 |
| 20 | RELIEF VALVE SEAL RING | 971-12S | 971-12S | 971-12S |
| 21 | RELIEF VALVE LOWER PLUNGER | 971-34A | 971-34A | 971-34A |
| 22 | RELIEF VALVE DIAPHRAGM | 971-43 | 971-43 | 971-43 |
| 23 | RELIEF VALVE UPPER PLUNGER | 971-34 | 971-34 | 971-34 |
| 24 | O-RING, RELIEF VALVE STEM | 011N | 011N | 011N |
| 25 | RELIEF VALVE STEM ASSY. | 971-50S | 971-50S | 971-50S |
| 26 | RELIEF VALVE COVER BOLTS | 971-11A | 971-11A | 971-11A |
| | RV. and CHECK SEAT TOOL | 971-SEATTOOL | | |
| 27 | RELIEF VALVE COVER | 971-3AXL2-010F | 971-3AXL2-010F | 971-3AXL2-010F |

Repair Kit, Complete

RK14-975XL **Size 1/4", 3/8", 1/2" Only**

| Part Number | Qty. | Description |
|-------------|------|---------------------------|
| 951-12S | 2 | SEAL RING |
| 971-12S | 1 | RELIEF VALVE SEAL RING |
| 971-43 | 1 | DIAPHRAGM |
| 123N | 2 | O-RING, COVER |
| 011N | 1 | O-RING, RELIEF VALVE STEM |
| 971-33 | 1 | NO. 1 CHECK SPRING |
| 951-33 | 1 | NO.2 CHECK SPRING |
| 971A-33 | 1 | RELIEF VALVE SPRING |

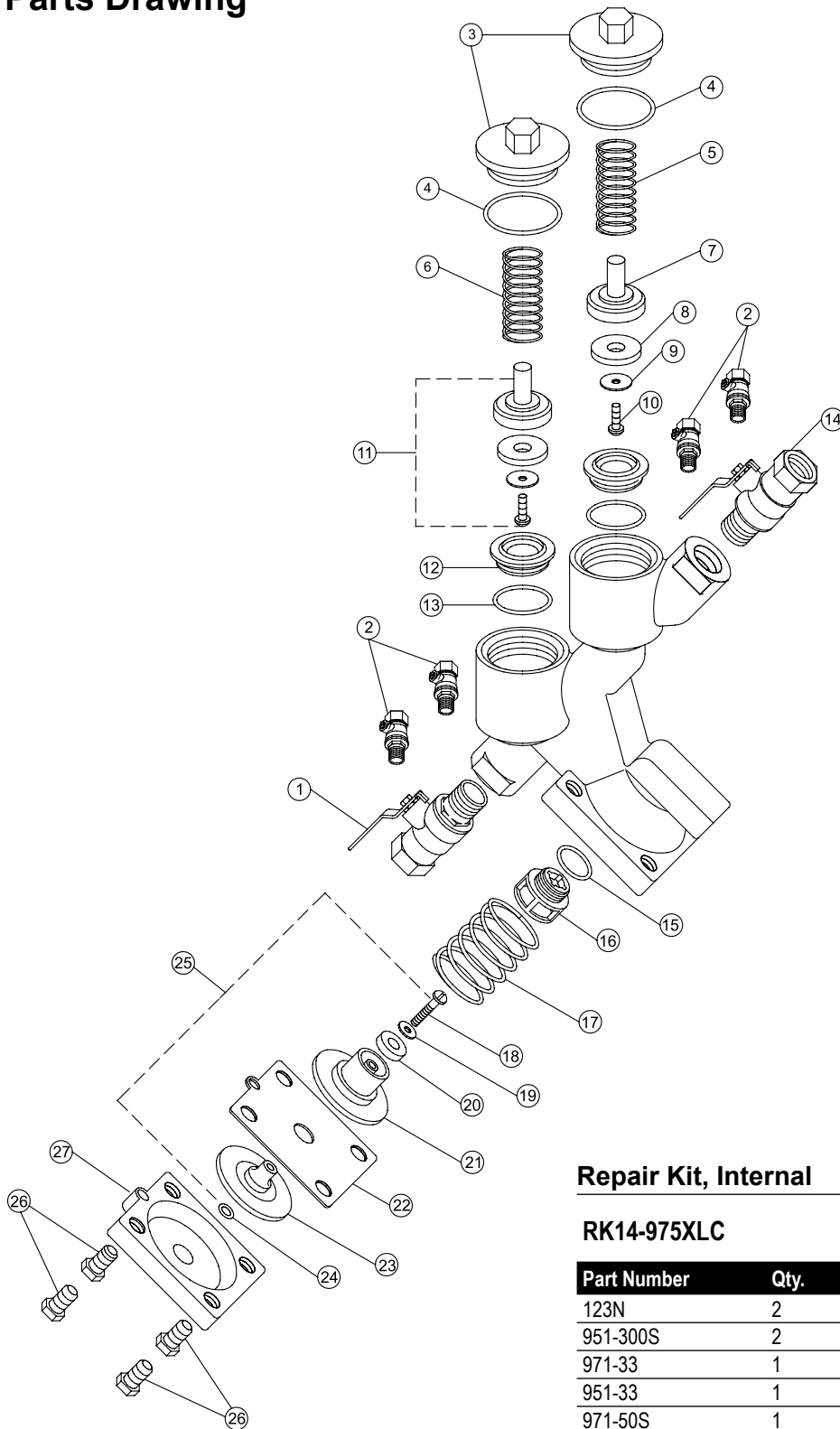
Repair Kit, Rubber

RK14-975XLR **Size 1/4", 3/8", 1/2" Only**

| Part Number | Qty. | Description |
|-------------|------|---------------------------|
| 951-12S | 2 | SEAL RING |
| 971-12S | 1 | RELIEF VALVE SEAL RING |
| 971-43 | 1 | DIAPHRAGM |
| 123N | 2 | O-RING, COVER |
| 011N | 1 | O-RING, RELIEF VALVE STEM |

MODEL 975XL2 and 975XL – 1/4" to 1/2"

Parts Drawing



Repair Kit, Internal

RK14-975XLC

Size 1/4", 3/8" and 1/2" Only

| Part Number | Qty. | Description |
|-------------|------|---------------------------|
| 123N | 2 | O-RING, COVER |
| 951-300S | 2 | POPPET ASSEMBLY |
| 971-33 | 1 | NO.1 CHECK SPRING |
| 951-33 | 1 | NO.2 CHECK SPRING |
| 971-50S | 1 | RELIEF VALVE STEM ASSY. |
| 971A-33 | 1 | RELIEF VALVE SPRING |
| 971-18 | 1 | RELIEF VALVE SEAT |
| 020N | 2 | O-RING, CHECK SEAT |
| 951-18 | 2 | CHECK SEAT |
| WK-016N | 1 | O-RING, RELIEF VALVE SEAT |