

SPECIFICATION SUBMITTAL SHEET



Tubular Brass W&O "CLASSIC" High-flow w/Test Kit

Job Name: _____ Contractor: _____
 Job Location: _____ Approval: _____
 Engineer: _____ Contractor's PO#: _____
 Approval: _____ Representative: _____

Brass Waste & Overflow

17GA or 20GA Tubular Brass

Classic High-flow Overflow Plate

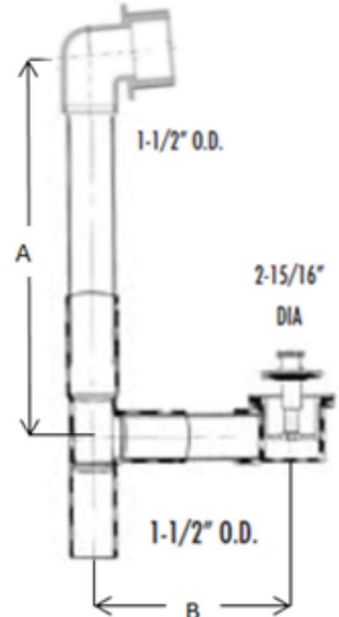
Test Kit Included (rated up to 4 stories)

Brass Strainer

Stopper Styles: Push eN Lift, Turn Top or Touch Toe

Brass Slip Nuts

Brass Ferrules Available Upon Request



Select Part# Below for Style/Size/Finish of Product Specified:

Qty	AB&A Part #	Item #	Material	Stopper	Finish	Dim. A (inches)		Dim. B (inches)	
						Min.	Max.	Min.	Max.
	ABA14506HF	61002	20Ga Brass	Push eN Lift	Chrome	12-9/16"	15-3/16"	6-1/16"	7-1/2"
	ABA14508HF	61184	20Ga Brass, XL	Push eN Lift	Chrome	20-9/16"	23-3/16"	11-1/16"	12-1/2"
	ABA1450617GAHF	61003	17Ga Brass	Push eN Lift	Chrome	12-9/16"	15-3/16"	6-1/16"	7-1/2"
	ABA1450817GAHF	61004	17Ga Brass, XL	Push eN Lift	Chrome	20-9/16"	23-3/16"	11-1/16"	12-1/2"
	ABA14518HF	61191	20Ga Brass	Turn Top	Chrome	12-9/16"	15-3/16"	6-1/16"	7-1/2"
	ABA1421HF	61193	20Ga Brass, XL	Turn Top	Chrome	20-9/16"	23-3/16"	11-1/16"	12-1/2"
	ABA1451817GAHF	61192	17Ga Brass	Turn Top	Chrome	12-9/16"	15-3/16"	6-1/16"	7-1/2"
	ABA1452117GAHF	64498	17Ga Brass	Turn Top	Chrome	20-9/16"	23-3/16"	11-1/16"	12-1/2"
	ABA14511SHF	64502	20Ga Brass, XL	Touch Toe	Chrome	20-9/16"	23-3/16"	11-1/16"	12-1/2"
	ABA1451117GASHF	61638	17Ga Brass	Touch Toe	Chrome	12-9/16"	15-3/16"	6-1/16"	7-1/2"
	ABA1451517GASHF	64519	17Ga Brass, XL	Touch Toe	Chrome	20-9/16"	23-3/16"	11-1/16"	12-1/2"

