

## 2 PC FULL PORT 1000 CWP

### Features:

- 1000 PSI CWP Non-Shock
- 150 PSI WSP
- Full Port
- Blow-out Proof Stem
- Adjustable Packing
- Investment Cast Body
- Threaded NPT Ends
- Stainless Steel Handle
- Locking Lever
- RTFE Seats
- Vented Ball
- Stocked Configurations:
  - Standard Locking Lever (1/4"~2")
  - Oval Handle (1/4"~2")
- Manufactured Silicone Free
- Replacement Locking Handle Kits Available
- Optional Stem Extension Kit (Uses Existing Valve Handle)(1/4"~2")
- Optional Oval Handle Kit (1/4"~2")

### Standards:

- Design: ASME B16.34, MSS SP-110
- End Connections: ASME B1.20.1
- Seat/Shell Test: MSS SP-110

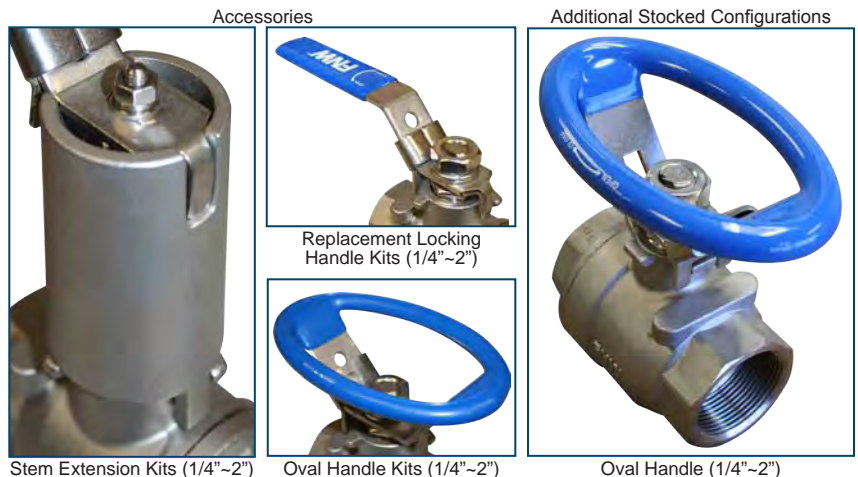
### Figure Number Matrix

FNW 200A Handle Size	
HANDLE CODE	SIZE CODE
Standard Handle = Blank	1/4 = B
Oval Handle = OL	3/8 = C
	1/2 = D
	3/4 = F
	1 = G
	1-1/4 = H
	1-1/2 = J
	2 = K

### Kit Codes (Order Separately)

FNW 310A Kit Size	
KIT TYPE	SIZE CODE
Locking Handle = LHK	1/4"~1/2" = BD
Stem Extension = SEK	3/4" = F
Oval Handle = OH	1"~1-1/4" = GH
	1-1/2"~2" = JK

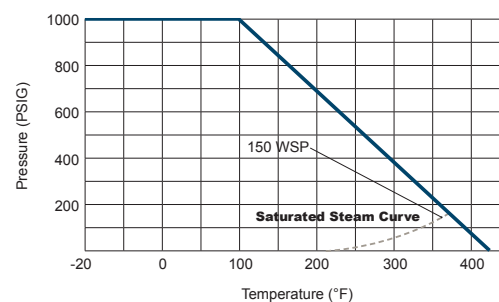
Note: The figure 200A uses the same accessories as the 310A.



Stem Extension Kits (1/4"~2")

Oval Handle Kits (1/4"~2")

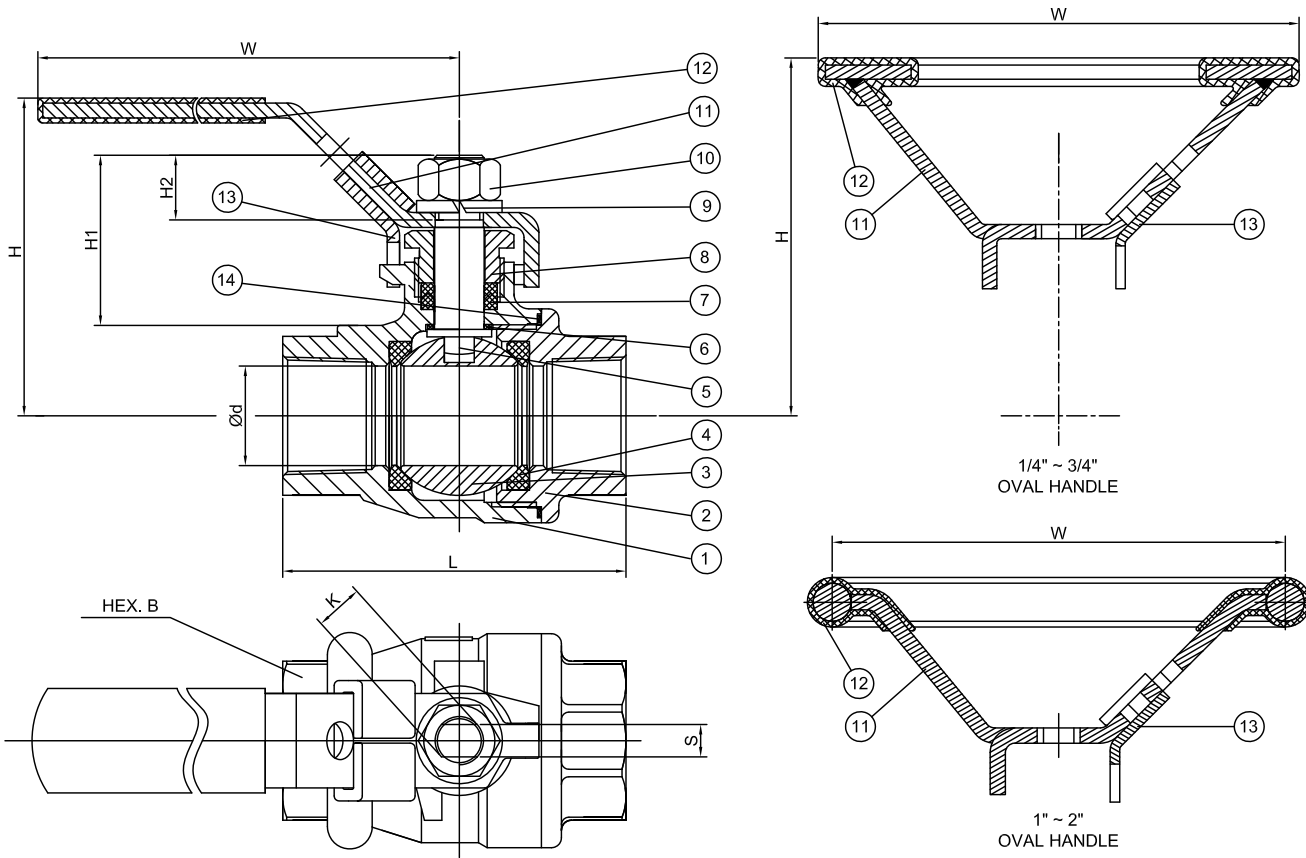
Oval Handle (1/4"~2")



### Cv, Torque & Weight

Size	Cv	Torque (in-lbs)	Wt (lbs)
1/4	15	60	0.73
3/8	15	60	0.68
1/2	18	66	0.75
3/4	36	80	1.14
1	48	146	1.94
1-1/4	58	252	2.82
1-1/2	120	344	4.12
2	190	503	6.48

## 2 PC FULL PORT 1000 CWP



### Dimensions (inches)

Size	Ød	L	H1	H2	Straight Lever		Oval Handle		K (UNC)	S	B
					H	W	H	W			
1/4	0.42	2.28	1.13	0.43	2.28	3.94	2.50	3.97	5/16-18	0.197	0.93
3/8	0.47	2.28	1.13	0.43	2.28	3.94	2.50	3.97	5/16-18	0.197	0.93
1/2	0.59	2.44	1.05	0.38	2.28	3.94	2.50	3.97	5/16-18	0.197	0.98
3/4	0.79	2.85	1.35	0.49	2.52	5.08	2.96	5.20	3/8-16	0.256	1.26
1	0.98	3.35	1.51	0.62	3.03	6.14	3.03	5.20	7/16-14	0.314	1.61
1-1/4	1.26	3.70	1.46	0.55	3.27	6.14	3.22	5.20	7/16-14	0.314	1.97
1-1/2	1.50	4.13	1.96	0.89	3.78	7.19	3.80	5.63	5/8-11	0.394	2.20
2	1.97	4.92	1.91	0.89	4.02	7.19	4.02	5.63	5/8-11	0.394	2.76

### Standard Materials

Ref. No.	Description	Material	Qty
1	Body	ASTM A351 Gr. CF8M Stainless	1
2	End Cap	ASTM A351 Gr. CF8M Stainless	1
3	Ball	316SS Stainless	1
4	Seat	RTFE	2
5	Stem	316SS Stainless	1
6	Thrust Washer	PTFE	1
7	V-Ring Packing	PTFE	1 Set
8	Gland Nut	304SS Stainless	1
9	Stem Washer	304SS Stainless	1
10	Stem Nut	ASTM A194-8 Stainless	1
11	Handle	304SS Stainless	1
	1"-2" Oval Handle	304SS+CF8	1
12	Handle Sleeve	Vinyl Plastic	1
13	Locking Device	304SS Stainless	1
14	Body Gasket	PTFE	1

DOC: FNW200A11 Ver. 05/2013

© 2013 - FNW. All rights reserved.

The FNW logo is a trademark of Ferguson Enterprises, Inc., PL Sourcing, PO Box 2778, Newport News, VA 23609

The contents of this publication are presented for information purposes only, and while effort has been made to ensure their accuracy, they are not to be construed as warranties or guarantees, expressed or implied, regarding the products or services described herein or their use or applicability. All sales are governed by our terms and conditions, which are available on request. We reserve the right to modify or improve the designs or specifications of our products at any time without notice. Always verify that you have the most recent product specifications or other documentation prior to the installation of these products.