

3 PC FULL PORT 1000 CWP

Features:

- 1000 PSI CWP Non-Shock
- 150 PSI WSP
- Full Port
- Blow-out Proof Stem
- Adjustable Packing
- Investment Cast Body
- End Connections
 - Threaded
 - Socket Weld
- Stainless Steel Handle
- Locking Lever
- RTFE Seats
- Vented Ball
- Manufactured Silicone Free
- Replacement Locking Handle Kits Available
- Optional Stem Extension Kit (Uses Existing Valve Handle)(1/4"~2")
- Optional Oval Handle Kit (1/4"~2")

Standards:

- Design: ASME B16.34, MSS SP-110
- End Connections:
 - NPT - ASME B1.20.1
 - SW - ASME B16.11
- Seat/Shell Test: MSS SP-110



Figure Number Matrix

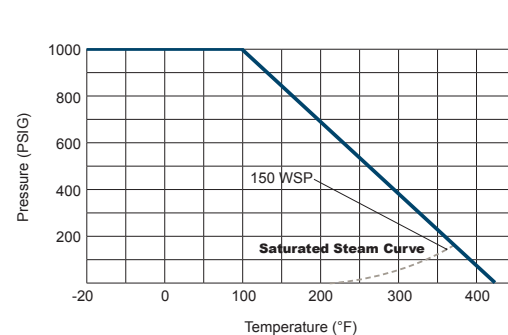
FNW 311A		Ends	Size
END CODE	SIZE CODE		
Blank = Threaded NPT	1/4 = B	1-1/4 = H	
SW = Socket Weld	3/8 = C	1-1/2 = J	
	1/2 = D	2 = K	
	3/4 = F	2-1/2 = L	
	1 = G	3 = M	

Note: For 4" valves, use FNW Figure number 311AM

Kit Codes (Order Separately)

FNW 310A		Kit	Size
KIT TYPE	SIZE CODE		
Locking Handle = LHK	1/4"~1/2" = BD		
Stem Extension = SEK	3/4" = F		
Oval Handle = OH	1"~1-1/4" = GH		
	1-1/2"~2" = JK		
	2-1/2"~3" = LM		

Note: The figure 311A uses the same accessories as the 310A.

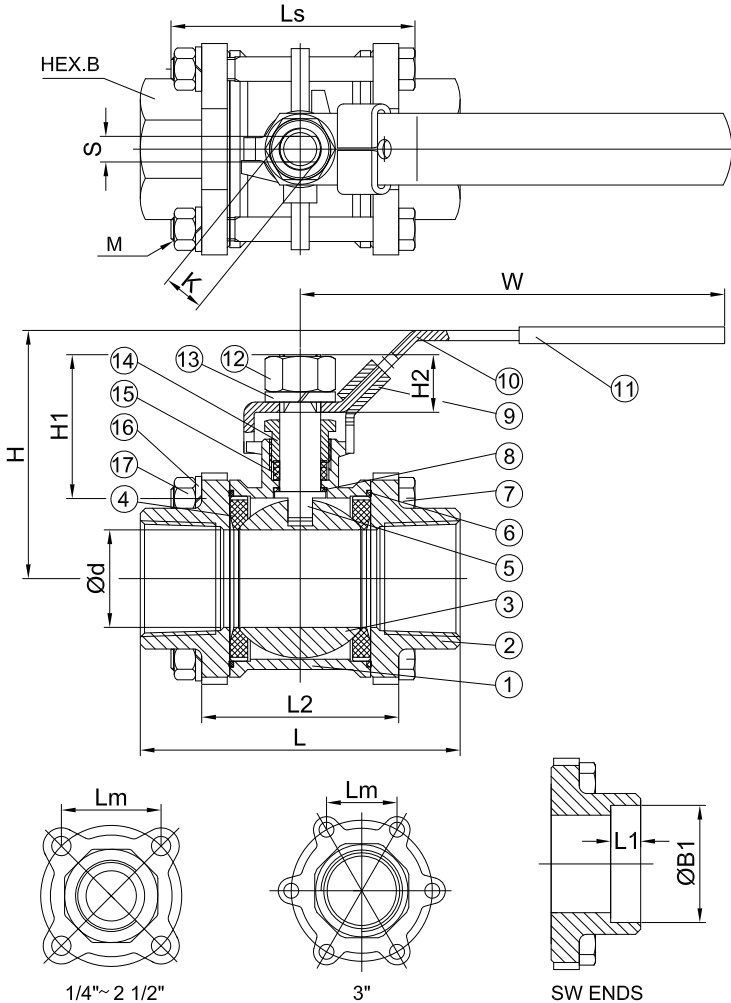


Cv, Torque & Weight

Size	Cv	Torque (in-lbs)	Wt (lbs)	
			NPT	SW
1/4	15	60	1.01	0.93
3/8	15	60	1.01	0.98
1/2	18	66	1.12	1.10
3/4	36	80	1.81	1.76
1	48	146	2.69	2.60
1-1/4	58	252	4.28	4.19
1-1/2	120	344	5.73	5.60
2	190	503	9.04	8.95
2-1/2	450	631	18.25	18.08
3	600	1337	25.57	25.88

3 PC FULL PORT 1000 CWP

Standard Materials



Ref. No.	Description	Material	Qty
1	Body	ASTM A216 Gr. WCB Carbon Steel	1
2	End Cap	ASTM A216 Gr. WCB Carbon Steel	2
3	Ball	316SS Stainless	1
4	Seat	RTFE	2
5	Stem	316SS Stainless	1
6	Body Gasket	PTFE	2
7	Body Bolt	1/4"~2-1/2"	4
		3"	6
8	Thrust Washer	PTFE	1
9	Locking Device	304SS Stainless	1
10	Handle	304SS Stainless	1
11	Handle Sleeve	Vinyl Plastic	1
12	Stem Nut	ASTM A194-8 Stainless	1
13	Stem Washer	304SS Stainless	1
14	Gland Nut	304SS Stainless	1
15	V-Ring Packing	PTFE	1 Set
16	Bolt Washer	1/4"~2"	4
		2-1/2"	8
		3"	12
17	Bolt Nut	1/4"~2"	4
		2-1/2"	8
		3"	12

Dimensions (inches)

SIZE	Ød	L	Lm	H1	H2	H	W	S	K (UNC)	Ls	L2	M (UNC)	B	L1	ØB1
1/4	0.42	2.57	1.14	1.20	0.43	2.26	3.94	0.197	5/16-18	1.98	1.46	1/4-20	0.93	0.39	0.56
3/8	0.47	2.57	1.14	1.20	0.43	2.26	3.94	0.197	5/16-18	1.98	1.46	1/4-20	0.93	0.39	0.69
1/2	0.59	2.74	1.21	1.11	0.38	2.26	3.94	0.197	5/16-18	2.13	1.63	1/4-20	1.10	0.39	0.86
3/4	0.79	3.15	1.52	1.30	0.49	2.50	5.08	0.256	3/8-16	2.44	1.82	5/16-18	1.36	0.51	1.07
1	0.98	3.54	1.76	1.61	0.62	2.97	6.14	0.314	7/16-14	2.79	2.10	5/16-18	1.65	0.51	1.34
1-1/4	1.26	4.33	2.13	1.61	0.55	3.19	6.14	0.314	7/16-14	3.37	2.68	3/8-16	2.05	0.63	1.69
1-1/2	1.50	4.72	2.42	2.12	0.89	3.70	7.19	0.394	5/8-11	3.81	3.05	3/8-16	2.30	0.63	1.93
2	1.97	5.51	2.95	2.19	0.89	4.11	7.19	0.394	5/8-11	4.36	3.59	3/8-16	2.81	0.67	2.42
2-1/2	2.50	7.28	3.62	2.69	0.93	5.16	9.92	0.472	3/4-10	5.75	4.36	9/16-12	3.41	0.67	2.91
3	2.99	8.07	2.93	2.75	0.93	5.47	9.92	0.472	3/4-10	6.34	4.93	9/16-12	3.98	0.67	3.54

DOC: FNW311A11 Ver. 06/2013

© 2013 - FNW. All rights reserved.

The FNW logo is a trademark of Ferguson Enterprises, Inc., PL Sourcing, PO Box 2778, Newport News, VA 23609

The contents of this publication are presented for information purposes only, and while effort has been made to ensure their accuracy, they are not to be construed as warranties or guarantees, expressed or implied, regarding the products or services described herein or their use or applicability. All sales are governed by our terms and conditions, which are available on request. We reserve the right to modify or improve the designs or specifications of our products at any time without notice. Always verify that you have the most recent product specifications or other documentation prior to the installation of these products.