

PFUC208

Stainless Steel Undermount Sinks



Product Features

- Stainless steel double bowl sink
- Type 301 nickel bearing stainless steel
- Undermount
- 18 gauge (1.2mm)
- Sound absorption pads and coating to minimize vibration and sound and increase durability
- Optional mounting clips available separately (PFUCCLIP)
- DXF cutout file available from PROFLO.com



PFUC208

General Specifications

- Overall Size: 30-3/4" x 20-1/2"
- Bowl Sizes: 13-1/2" x 18"
- Bowl Depths: 9"
- Drain Diameter: 3-1/2"
- Minimum Cabinet Size: 36"

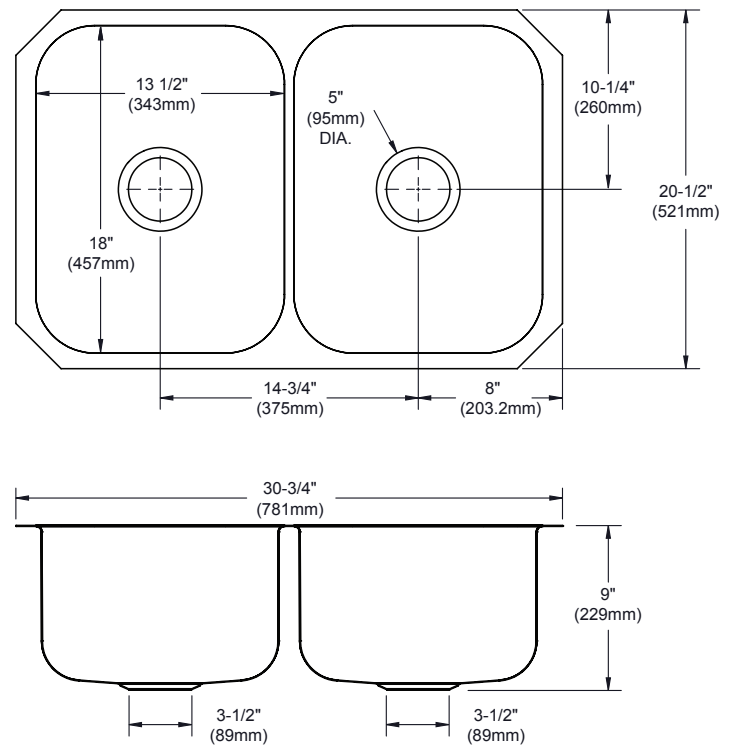
Model Numbers

PFUC208 30-3/4" X 20-1/2" 2B UC SS SINK

Available Parts

PFG1015 Sink basin grid

Product Specifications



Warranty and Codes

This PROFLO stainless steel sink carries a limited lifetime warranty. In an effort to continually improve our products, we will make design changes from time to time. We reserve the right to ship newly designed product to fill any order unless it is agreed in writing to do otherwise.

Sink complies with ASME A112.19.3-2008 / CSA B45.4-08

