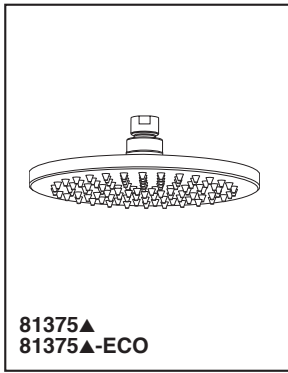


# BRIZO®

## SHOWERHEAD

■ Round Showerhead



Submitted Model No.: \_\_\_\_\_

Specific Features: \_\_\_\_\_

### STANDARD SPECIFICATIONS:

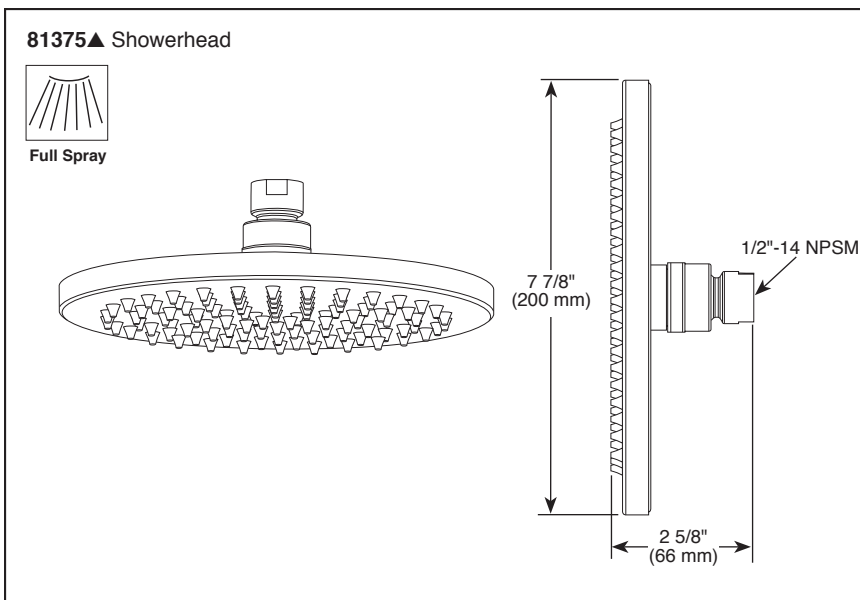
- 2.50 gpm @ 80 psi, 9.50 L/min @ 550 kPa
- 2.00 gpm (ECO models only) @ 80 psi, 7.60 L/min @ 550 kPa
- Standard 1/2" pipe fitting connection
- Wrench flats for tightening
- Solid fabricated brass showerhead
- Showerhead is intended for overhead raincan orientation. Ball connector rotates and pivots.

### WARRANTY

- Lifetime limited warranty on parts (other than electronic parts and batteries) and finishes: or, for commercial users, for 5 years from date of purchase.
- 5 year limited warranty on electronic parts (other than batteries); or, for commercial users, for 1 year from the date of purchase. No warranty is provided on batteries.

### COMPLIES WITH:

- ASME A112.18.1 / CSA B125.1



▲ Designate proper finish suffix