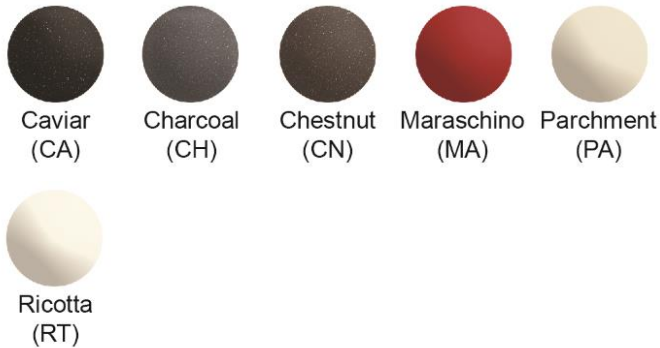


**PRODUCT SPECIFICATIONS**

Elkay Quartz Luxe 33" x 20" x 9-1/2", Equal Double Bowl Undermount Sink with Aqua Divide. Proprietary manufacturing process that combines natural quartz with high performance UV-stable acrylic resins, along with a patented webbing and embedded organic fibers that results in an impact resistant, non-porous and heat, scratch, stain and fade resistant surface. Naturally sound deadening and Rear Center drain placement.

|                              |  |
|------------------------------|--|
| <b>Installation Type:</b>    | Undermount   |
| <b>Material:</b>             | Quartz   |
| <b>Special Features:</b>     | Aqua Divide  |
| <b>Finish:</b>               | Caviar (CA), Charcoal (CH), Chestnut (CN), Maraschino (MA), Parchment (PA), Ricotta (RT) |
| <b>Number of Bowls:</b>      | 2  |
| <b>Sink Dimensions:</b>      | 33" x 20" x 9-1/2"   |
| <b>Bowl 1 Dimensions:</b>    | 15-1/4" x 17-7/8" x 9-1/2"   |
| <b>Bowl 2 Dimensions:</b>    | 15-1/4" x 17-7/8" x 9-1/2"   |
| <b>Drain Size:</b>           | 3-1/2" (89mm)  |
| <b>Drain Location:</b>       | Rear Center  |
| <b>Minimum Cabinet Size:</b> | 36"  |
| <b>Mounting Hardware:</b>    | Part # 54300408 included   |
| <b>Template Included:</b>    | Yes  |
| <b>Cutout Template #:</b>    | <a href="#">0000001441</a>   |

Template is available for download at [elkay.com](#)



AMERICAN PRIDE. A LIFETIME TRADITION. Like your family, the Elkay family has values and traditions that endure. For almost a century, Elkay has been a family-owned and operated company, providing thousands of jobs that support our families and communities.



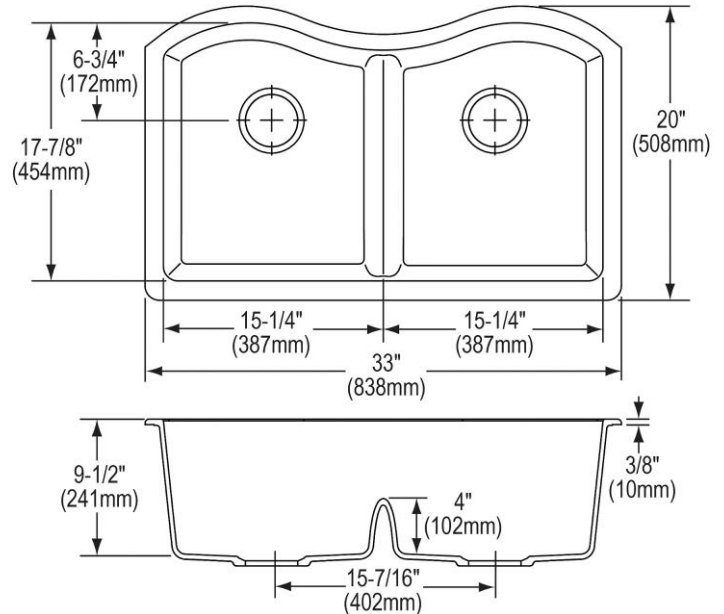
Sinks are listed by IAPMO<sup>®</sup> as meeting the applicable requirements of the Uniform Plumbing Code<sup>®</sup>, International Plumbing Code<sup>®</sup>, and National Plumbing Code of Canada.

**Product Compliance:** CSA B45.5/IAPMO Z124

[Clean and Care Manual \(PDF\)](#)

[Installation Instructions \(PDF\)](#)

[Warranty \(PDF\)](#)



PART: \_\_\_\_\_ QTY: \_\_\_\_\_

PROJECT: \_\_\_\_\_

CONTACT: \_\_\_\_\_

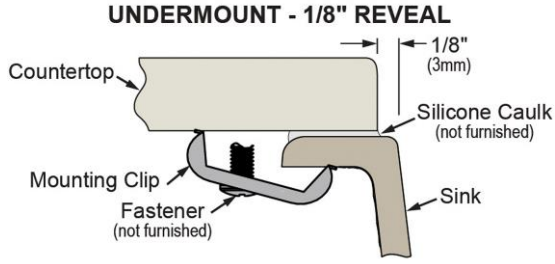
DATE: \_\_\_\_\_

NOTES: \_\_\_\_\_

APPROVAL: \_\_\_\_\_

In keeping with our policy of continuing product improvement, Elkay reserves the right to change product specifications without notice. Please visit [elkay.com](#) for the most current version of Elkay product specification sheets. This specification describes an Elkay product with design, quality, and functional benefits to the user. When making a comparison of other producers' offerings, be certain these features are not overlooked.

**Installation Profile:**



Designed to affix to the underside of any solid surface countertop.

**OPTIONAL ACCESSORIES**

|                        |  |
|------------------------|--|
| <b>Bottom Grid:</b>    | LKWOBG1417LSS (left bowl),<br>LKWOBG1417RSS (right bowl) |
| <b>Cutting Board:</b>  | LKCB1417HW   |
| <b>Drain:</b>          | LK99   |
| <b>Faucet:</b>         | LKHA1031, LKHA2031, LKHA3041                             |
| <b>Soap Dispenser:</b> | LKHA1054   |

*In keeping with our policy of continuing product improvement, Elkay reserves the right to change product specifications without notice. Please visit [elkay.com](http://elkay.com) for the most current version of Elkay product specification sheets. This specification describes an Elkay product with design, quality, and functional benefits to the user. When making a comparison of other producers' offerings, be certain these features are not overlooked.*