

**PRODUCT SPECIFICATIONS**

Elkay Lustertone Stainless Steel 31" x 22" x 6-1/2", Single Bowl Top Mount ADA Sink with Perfect Drain. Sink is manufactured from 18 gauge 304 Stainless Steel with a Lustertone finish, Rear Center drain placement, and Full spray sides and bottom.

|                              |   |
|------------------------------|---|
| <b>Installation Type:</b>    | Top Mount                                 |
| <b>Material:</b>             | 304 Stainless Steel                       |
| <b>Special Features:</b>     | Perfect Drain, Quick-Clip Mounting System |
| <b>Finish:</b>               | Lustertone                                |
| <b>Gauge:</b>                | 18  |
| <b>Sound Deadening:</b>      | Full spray sides and bottom               |
| <b>Number of Bowls:</b>      | 1   |
| <b>Sink Dimensions:</b>      | 31" x 22" x 6-1/2"                        |
| <b>Bowl 1 Dimensions:</b>    | 28" x 16" x 6-3/8"                        |
| <b>Drain Size:</b>           | 3-3/8" (86mm)                             |
| <b>Drain Location:</b>       | Rear Center                               |
| <b>Minimum Cabinet Size:</b> | 36"                                       |
| <b>Mounting Hardware:</b>    | Included for 3/4" (19mm) countertop       |
| <b>Cutout Template #:</b>    | <a href="#">1000001239</a>                |

Template is available for download at [elkay.com](#)

**Cutout Dimensions for Top Mount Installation:**

30-3/8" x 21-3/8" (772mm x 543mm) with 1-1/2" (38mm) corner radius

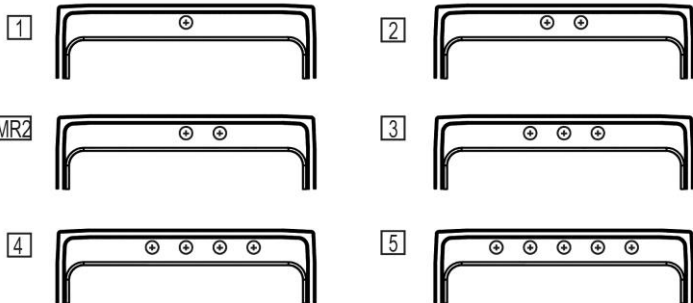


This sink is compliant to ADA and ANSI/ICC A117.1 accessibility requirements when installed according to the requirements outlined in these standards.

**Perfect Drain:** Seamlessly welded stainless steel collar eliminates the gap between a traditional drain and the sink for a sanitary and gap free installation. An InSinkErator® garbage disposer can be installed on either sink bowl for user convenience. **Patent Pending**

**Hole Drilling Configurations:**

1-1/2" (38mm) Diameter Faucet Holes on 4" (102mm) Centers



PART: \_\_\_\_\_ QTY: \_\_\_\_\_  
 PROJECT: \_\_\_\_\_  
 CONTACT: \_\_\_\_\_  
 DATE: \_\_\_\_\_  
 NOTES: \_\_\_\_\_  
 APPROVAL: \_\_\_\_\_

In keeping with our policy of continuing product improvement, Elkay reserves the right to change product specifications without notice. Please visit [elkay.com](#) for the most current version of Elkay product specification sheets. This specification describes an Elkay product with design, quality, and functional benefits to the user. When making a comparison of other producers' offerings, be certain these features are not overlooked.



**Included with Product: One LKPD1 Perfect Drain and Strainer**

AMERICAN PRIDE. A LIFETIME TRADITION. Like your family, the Elkay family has values and traditions that endure. For almost a century, Elkay has been a family-owned and operated company, providing thousands of jobs that support our families and communities.

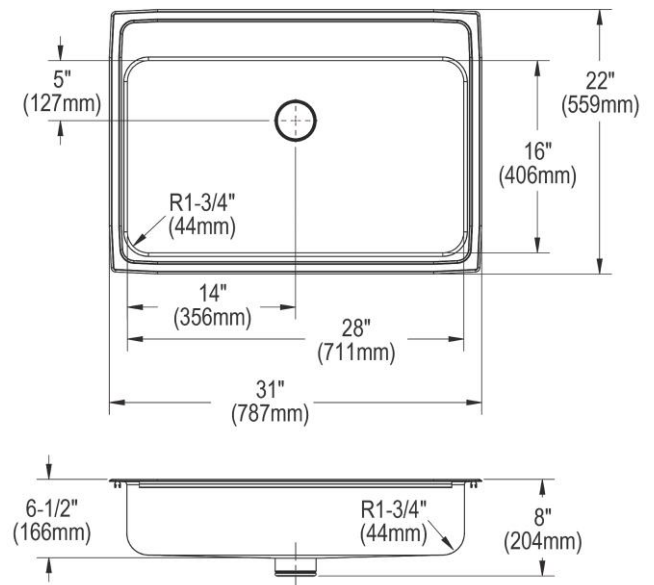


Sinks are listed by IAPMO® as meeting the applicable requirements of the Uniform Plumbing Code®, International Plumbing Code®, and National Plumbing Code of Canada.

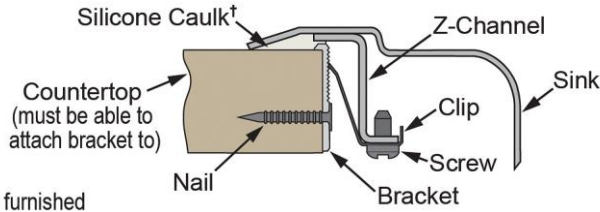
**Product Compliance:** ADA & ICC A117.1  
 ASME A112.19.3/CSA B45.4  
 BUY AMERICAN ACT  
 Accessory: ASME A112.18.2/CSA B125.2

[Clean and Care Manual \(PDF\)](#)  
[Installation Instructions \(PDF\) - 74180271](#)  
[Installation Instructions \(PDF\) - 74180289 Disposer](#)  
[Installation Instructions \(PDF\) - 74180340-USA Drain](#)  
[Limited Lifetime Warranty \(PDF\)](#)

**Similar models are available with: U Channel mounting system**

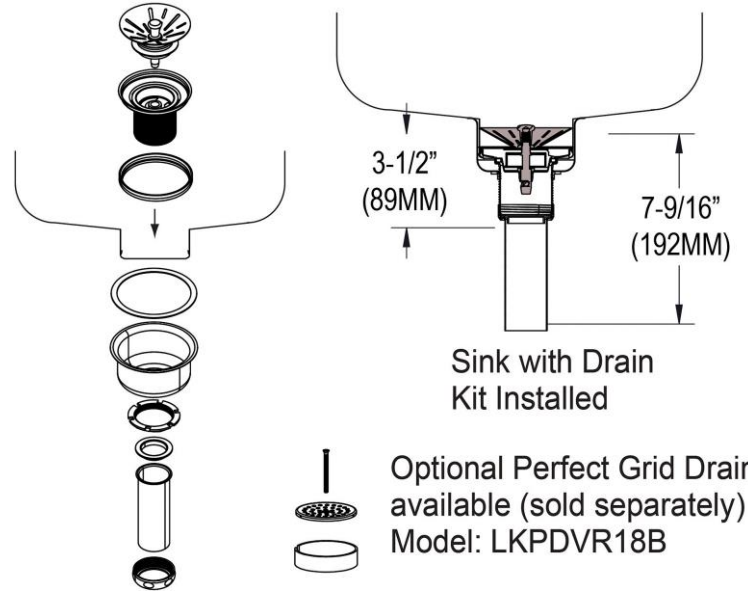


**Installation Profile:**



**OPTIONAL ACCESSORIES**

|                        |                              |
|------------------------|------------------------------|
| <b>Bottom Grid:</b>    | LKWBG2816SS, LKWOBG2816SS    |
| <b>Cutting Board:</b>  | CB1713, CBS1316              |
| <b>Drain:</b>          | LKPDVR18B, LKPDAD18B, LKDS99 |
| <b>Faucet:</b>         | LKGT1041, LKGT2041           |
| <b>Rinsing Basket:</b> | LKWRB2816SS, LKWERBSS        |
| <b>Sinkmate:</b>       | LKSMHSL                      |
| <b>Soap Dispenser:</b> | LKGT1054                     |



**in sink erator**<sup>®</sup>

Elkay<sup>®</sup> Perfect Drain<sup>™</sup> sinks are designed and approved for compatible disposers manufactured by InSinkErator<sup>®</sup> utilizing the Quick Lock<sup>®</sup> mounting configuration. Use of non-approved disposers may void Elkay warranty.

InSinkErator, Quick Lock and the mounting collar configuration are trademarks of Emerson Electric Co.



*In keeping with our policy of continuing product improvement, Elkay reserves the right to change product specifications without notice. Please visit [elkay.com](http://elkay.com) for the most current version of Elkay product specification sheets. This specification describes an Elkay product with design, quality, and functional benefits to the user. When making a comparison of other producers' offerings, be certain these features are not overlooked.*