

Features

- Includes handle (excludes face plate).
- Single handle controls both on/off activation and temperature setting.
- Supplied with ADA compliant metal lever handle.
- Complements the IV Georges faucet and accessory collections.

Material

- Premium material construction with metal handle ensures reliability and durability.
- KOHLER finishes resist corrosion and tarnishing, exceeding industry durability standards.

Installation

- Trim set requires valve to complete installation.

Required Accessories

K-304/K-P304 Series Rite-Temp® Valves
K-146 Bath Dial Plate

or

K-8304/K-P8304 Series Rite-Temp® Valve & Cartridge Kits
K-146 Bath Dial Plate

or

K-8300/K-P8300 Series Rite-Temp® Valve Body Rough-ins
K-8305/K-P8305 Series Rite-Temp® Cartridges
K-146 Bath Dial Plate

or

K-2971-KS 3/4" Pressure-balancing Valve
K-146 Bath Dial Plate

Optional Accessories

K-10350 Deep Rough-In Kit For K-8305 Cartridges
K-10351 Test Cap For K-8300 Series Valve Bodies



ADA

CSA B651

OBC

Codes/Standards

ASME A112.18.1/CSA B125.1

ADA

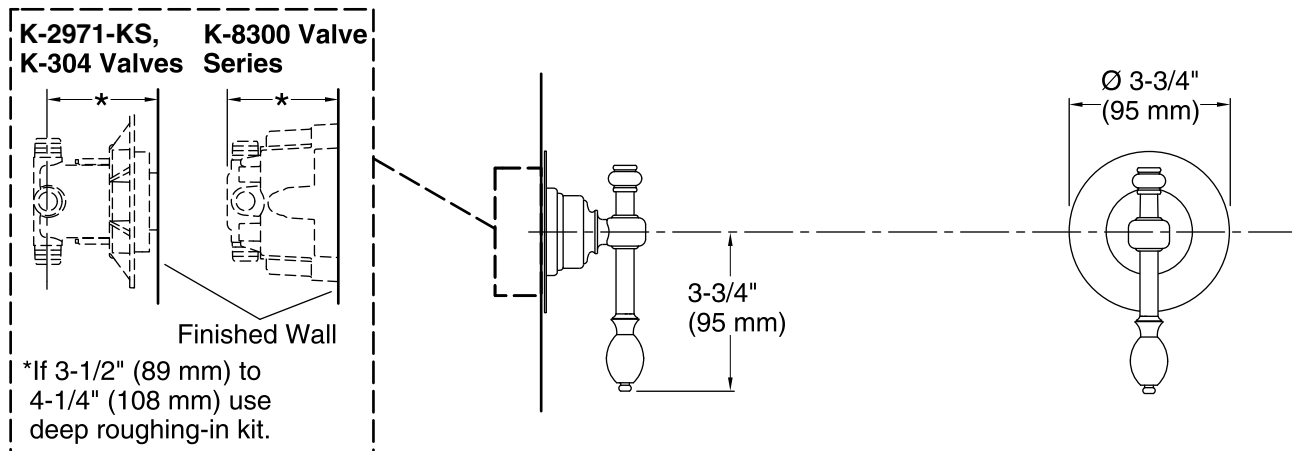
ICC/ANSI A117.1

CSA B651

OBC

KOHLER® Faucet Lifetime Limited Warranty

See website for detailed warranty information.



Technical Information

All product dimensions are nominal.

Showerhead:

Pressure: 80 psi (5.5 bar)

Notes

Install the product according to the installation guide.

NOTICE: Risk of product damage. Long screws for installing trim can damage the K-2971-KS valve. Consult the trim installation guide to verify if the thin wall installation kit (88526) is needed.

ADA, OBC, CSA B651 compliant when installed to the specific requirements of these regulations.