

Features

- Metal construction
- ADA compliant lever handles
- Deck-mount
- Leak-free ceramic disc valves exceed industry standards by two times for a lifetime of use
- Durable KOHLER finishes resist corrosion and tarnishing
- Complete range of faucets, accessories and showering components to coordinate a full bathroom



ADA

CSA B651

OBC

Codes/Standards

ASME A112.18.1/CSA B125.1

All applicable US Federal and State material regulations

ADA

ICC/ANSI A117.1

CSA B651

OBC

KOHLER® Faucet Lifetime Limited Warranty

See website for detailed warranty information.

Available Color/Finishes

Color tiles intended for reference only.

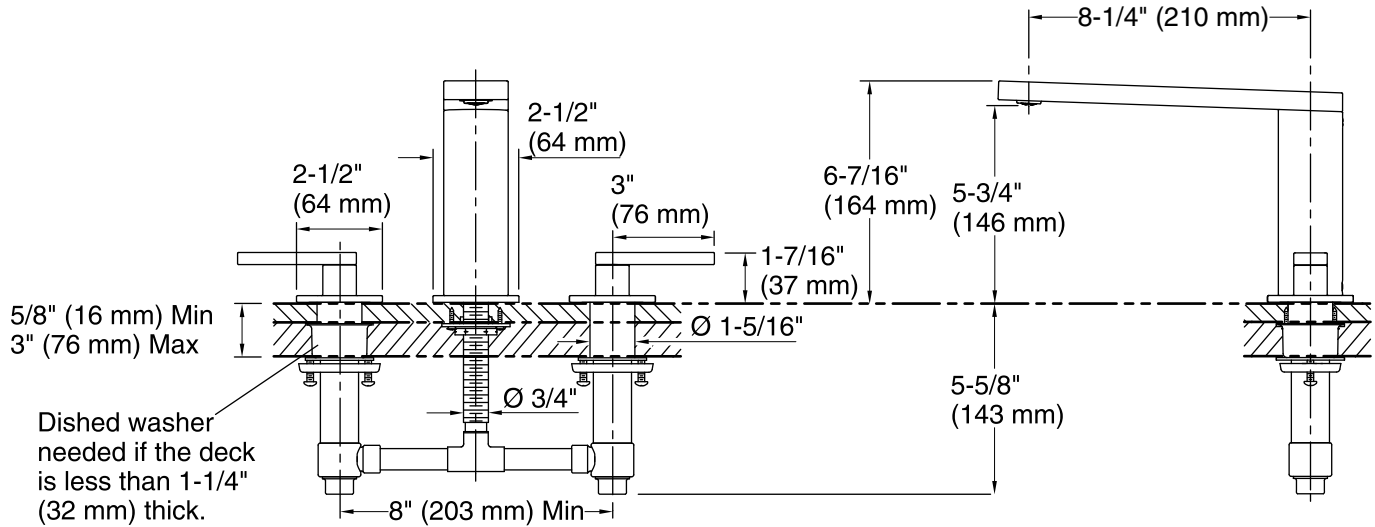
Color	Code	Description
-------	------	-------------



CP	Polished Chrome
----	-----------------



TT	Vibrant Titanium
----	------------------



Finished Deck-Mount Installation Only

Technical Information

All product dimensions are nominal.

Spout:

Spout reach: 8-1/4" (210 mm)

Handle clearance: 3" (76 mm)

Notes

Install this product according to the installation guide.

ADA, OBC, CSA B651 compliant when installed to the specific requirements of these regulations.