

### Features

- Vitreous china.
- Elongated bowl.
- Equipped with Sloan FLUSHMATE®– Sloan® Valve Company.
- Polished chrome trip lever.
- Tank cover locks
- Less seat and supply.
- 12" (305 mm) rough-in.
- 1.0 gpf (3.8 lpf).
- 11-1/2" (292 mm) x 9-1/2" (241 mm) water area.
- 30-3/8" (772 mm) x 21-1/4" (540 mm) x 29-3/4" (756 mm).

### Optional Accessories

- K-4650 Toilet Seat
- K-7637 Angle Supply with Stop (single)

### Components

Product includes:

- K-4303 Toilet Bowl
- K-4484-TR Toilet Tank

Additional included component/s: Tank cover, Trip lever, Bolt cap accessory pack, and Equipped with Sloan FLUSHMATE® – Sloan® Valve Company.



### Codes/Standards





ASME A112.19.2/CSA B45.1  
DOE - Energy Policy Act 1992  
EPA WaterSense®  
California Energy Commission (CEC)

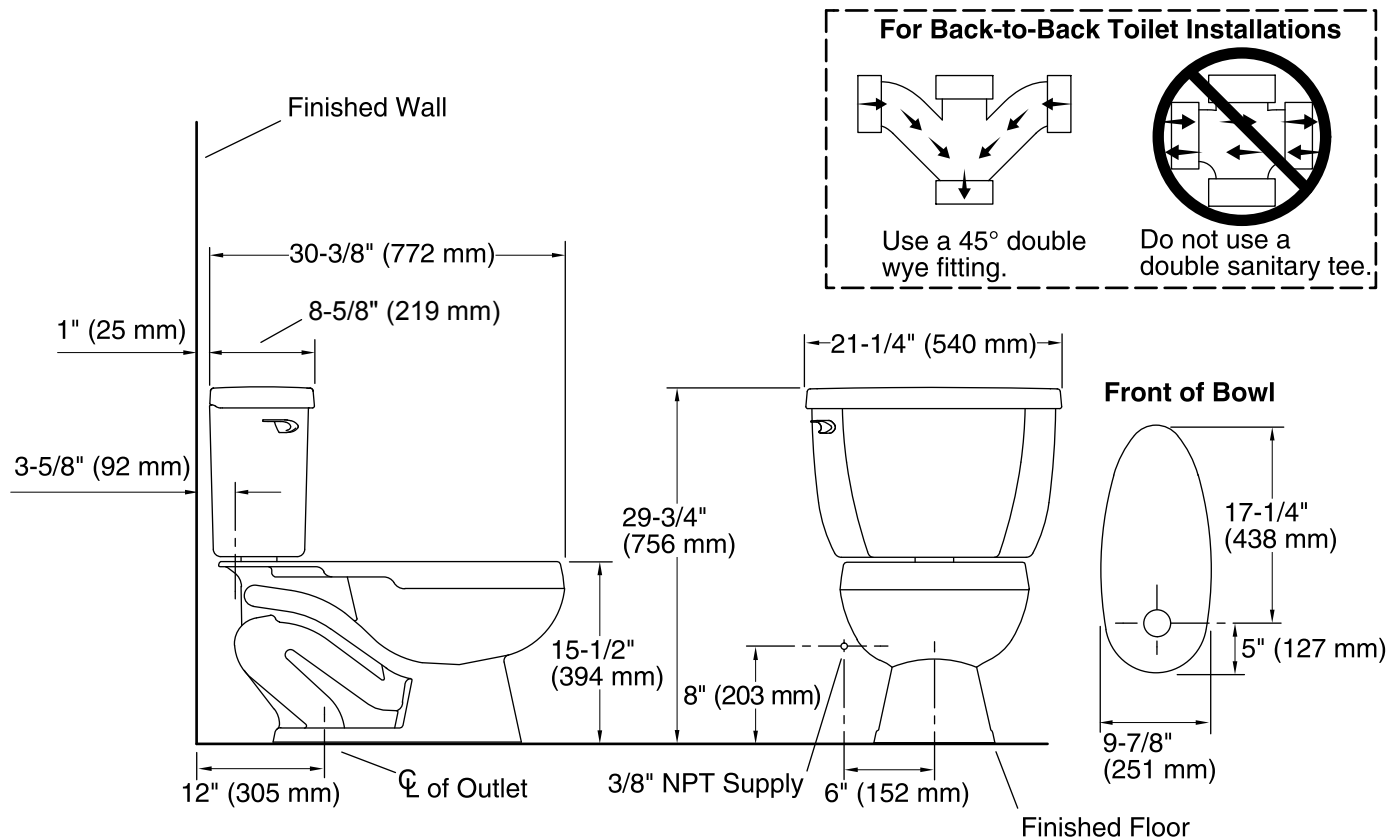
### KOHLER® One-Year Limited Warranty

See website for detailed warranty information.

### Available Color/Finishes

*Color tiles intended for reference only.*

| Color  | Code | Description  |
|--|------|--------------|
|  | 0    | White        |
|  | 96   | Biscuit      |
|  | 47   | Almond       |
|  | 7    | Black Black™ |



## Technical Information

All product dimensions are nominal.

- Toilet type: Two-piece, Floor-mount
- Waste Outlet: Floor
- Bowl shape: Elongated front
- Flush type: Pressure Assisted
- Trap passageway: 2-1/4" (57 mm)
- Water surface size: 11-1/2" x 9-1/2" (292 mm x 241 mm)
- Rim to water surface: 5-5/8" (143 mm)
- Rough-in: 12" (305 mm)
- Seat-mounting holes: 5-1/2" (140 mm)

## Fixture Supply Requirements

- Min static pressure: 35 psi (241.3 kPa)
- Max static pressure: 80 psi (551.6 kPa)

## Notes

- Install this product according to the installation instructions.
- For back-to-back toilet installations: Use only a 45° double wye fitting.