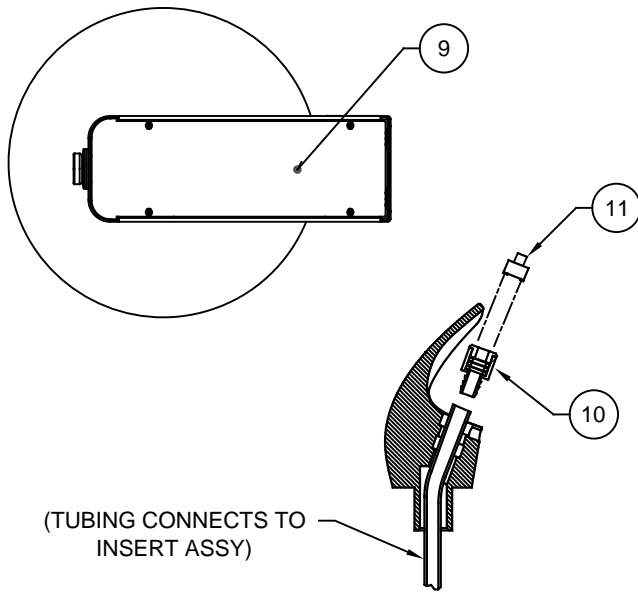
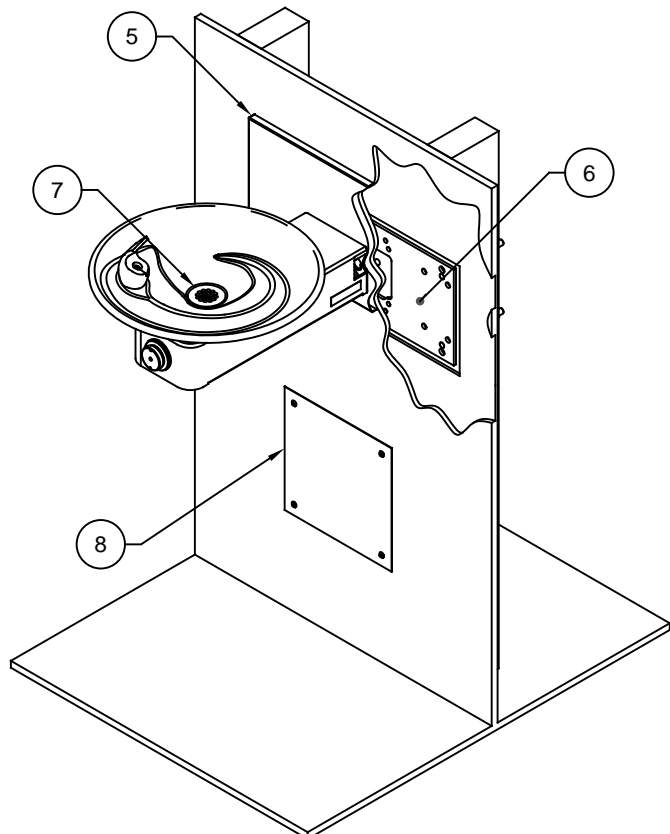
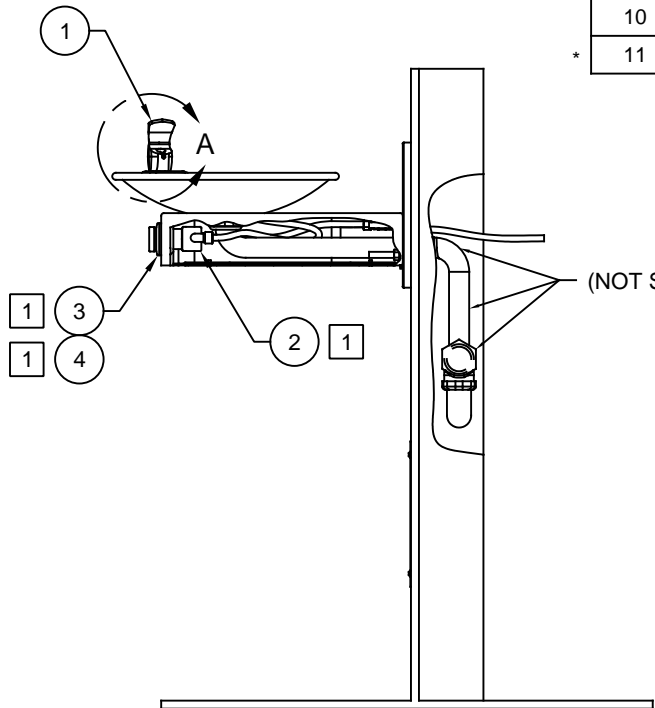


NOTES:

- 1 5874PBF (ITEM 2) INCLUDES VRK5874 CARTRIDGE ASSEMBLY (ITEM 3) AND PBA6 FLANGED PUSH BUTTON (ITEM 4).

ITEM	DESCRIPTION	1001	1001HPS
1	BUBBLER HEAD, PCP	5705	5705
2	BUTTON, PUSH, PCP, FLANGED W/ VALVE	5874PBF	5874PBF
3	VALVE REPAIR KIT	VRK5874	VRK5874
4	BUTTON, PUSH, 5874, FLANGED	PBA6	PBA6
*	5 PANEL, BACK, F/ SATIN SWIRL OR HI-POL SS	BP6	BP6HPS
6	PLATE, MOUNTING	6700	6700
7	STRAINER, WASTE ASSEMBLY, SCP OR PCP	6463	6463PCP
*	8 PANEL, ACCESS, SS SATIN OR HI-POL	6603	6603HPS
9	PLATE, BOTTOM, F/ 1000	PBM1000	PBM1000
10	INSERT, LAMINAR FLOW, 5705	0002850230	0002850230
*	11 DRIVER, NOZZLE, .25 HEX	0002082253	0002082253

\* DENOTES OPTIONAL PART.



DETAIL A  
(ROTATED 90° INTO VIEW)

# PARTS BREAKDOWN

WHEN ORDERING PARTS PLEASE SPECIFY MODEL NUMBER.

		<b>Haws</b> <sup>®</sup>		1455 KLEPPE LANE SPARKS, NEVADA 89431 (775) 359-4712 FAX (775) 359-7424 E-MAIL: HAWS@HAWS.CO.COM WEBSITE: WWW.HAWS.CO.COM	
ECN NO.	REVISED PER	BY	MODEL(S)	PART NUMBER	
	ECN: 5124	VWC	1001/1001HPS	0002076304	
DRAWN	DATE	CHKD	DIRNKING FOUNTAIN	REVISION	
RTM	10/19/98	VWC		18	
APPROVED	DATE		SCALE: 1:1	DRAWING TYPE: PARTS BREAKDOWN	SIZE: A SHEET 1 OF 1
FV	07/06/17				