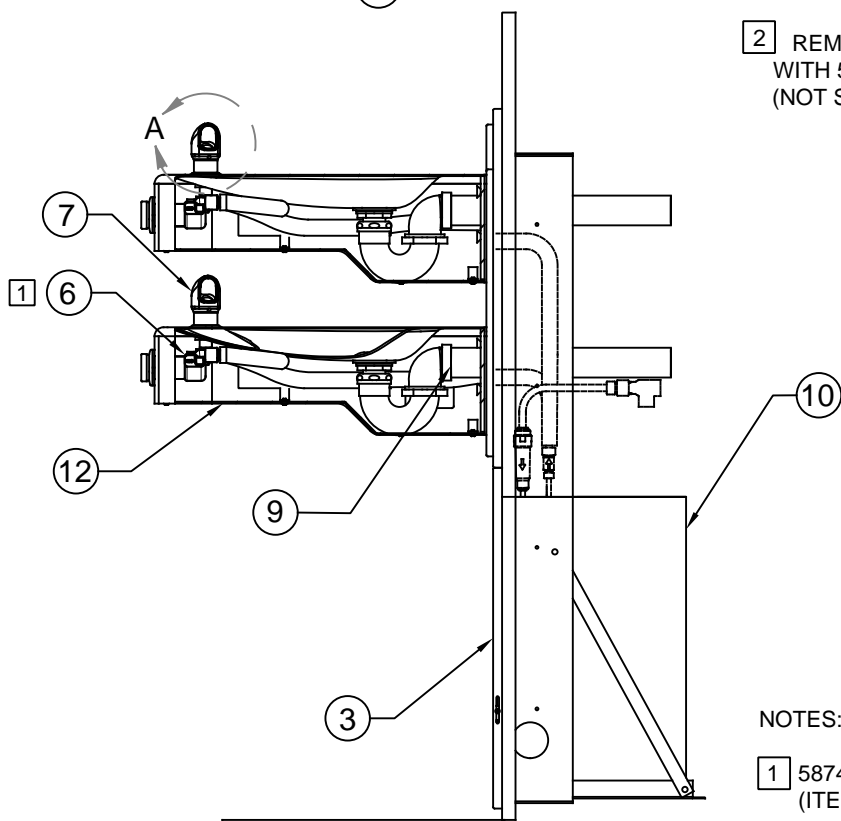
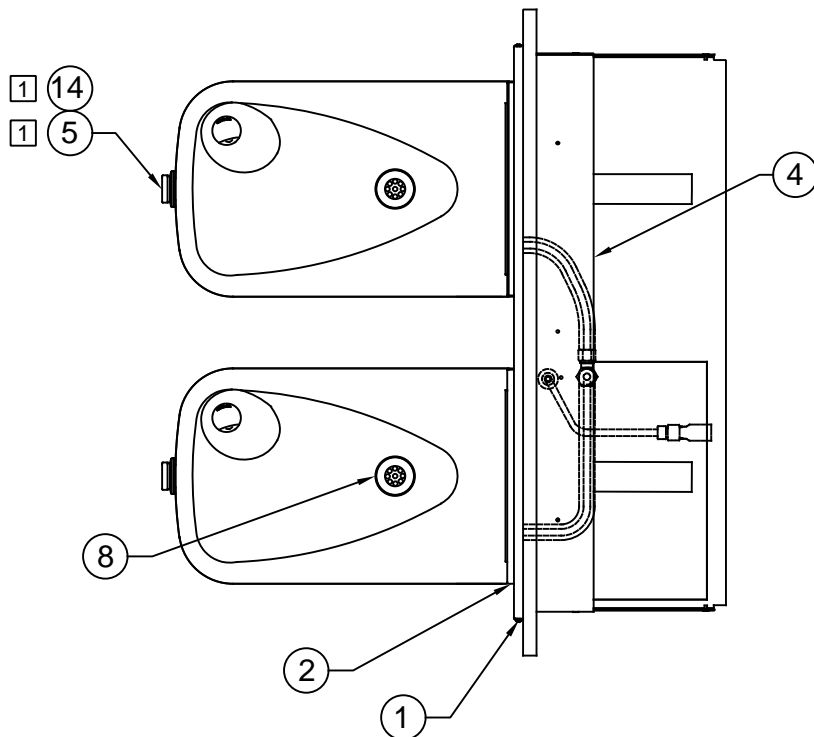
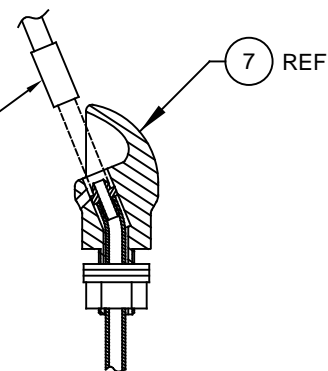


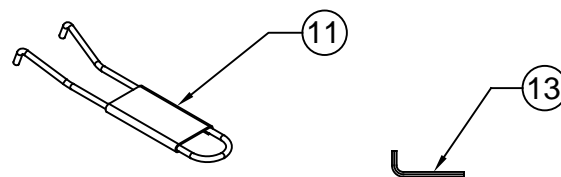
ITEM	DESCRIPTION	PART NO.
1	BACK PANEL P/N	0004023590
2	SMALL BACK PANEL P/N	0004023587
3	GRILLE 1117L P/N	0002626600
4	MOUNTING FRAME	MTGFR.17
5	BUTTON	PBA6
6	VALVE	5874PBF
7	BUBBLER HEAD	5703M
8	STRAINER ASSY	6462
9	TRAP	0005982900
10	REMOTE CHILLER	HCR8
11	SPANNER WRENCH	0006983506
12	BOTTOM PLATE	0004449315
13	KEY HEX F/PINNED HEX	0002981127
14	VALVE REPAIR KIT	VRK5874



2 REMOVE INSERT WITH 5/16 HEX SOCKET (NOT SUPPLIED)



DETAIL A  
ROTATED 90° INTO VIEW




NOTES:

- 5874PBF (ITEM 6) INCLUDES VRK5874 CARTRIDGE ASSEMBLY (ITEM 14) AND PBA6 FLANGED PUSH BUTTON (ITEM 5).
- ENSURE TUBE IS DISCONNECTED FROM PUSH BUTTON VALVE BODY PRIOR TO REMOVAL. APPLY ONE DROP OF LOCTITE 222MS TO NOZZLE THREADS PRIOR TO FASTENING BACK ONTO BUBBLER HEAD. RE-ATTACH TUBE TO VALVE.

# PARTS BREAKDOWN

WHEN ORDERING PARTS PLEASE SPECIFY MODEL NUMBER.

 <b>Haws</b> <sup>®</sup>				1455 KLEPPE LANE SPARKS, NEVADA 89431 (775) 359-4712 FAX (775) 359-7424 E-MAIL: HAWS@HAWSCO.COM WEBSITE: WWW.HAWSCO.COM	
ECN NO.	REVISED PER	BY	MODEL(S)	PART NUMBER	
	ECN: 5190	JP	H1117.8	0002080215	
DRAWN	DATE	CHKD		REVISION	
C.FENNER	10-25-06	VWC		11	
APPROVED	DATE		SCALE: N/A	DRAWING TYPE: PARTS BREAKDOWN	SIZE: A SHEET 1 OF 1
JL	07/10/17				